

Thunderbird Specialists

COASCO

SINCE 1969



1955-1957 THUNDERBIRD ILLUSTRATED CATALOG 2012

CLASSIC AUTO SUPPLY CO., INC.

CASCO HISTORY - A FAMILY TRADITION

It didn't start out to be a business. We didn't buy a building, slap a sign on it and announce to the world "Here we are - buy your T-Bird parts from us" nor did we even start out as a planned business venture. Bill Brown was an engineer and product manager for GE. However, he was also a "car nut" and enjoyed working on cars. At the suggestion of his wife Sue, Bill purchased a '57 T-Bird that needed a lot of work. This was in 1968. As the restoration process progressed, Bill found that there were many parts that he needed that weren't available for his own car, and as a service to other T-Birders he found sources and had these parts reproduced. At that time, there were few T-Bird parts vendors and Bill only reproduced parts that were not available elsewhere.

The parts inventory grew and began to consume every available nook in Bill & Sue's house. The glass production took over the garage, Sue's oven was being used to bake grommets, and a makeshift order processing center was set up among the parts in the basement. It soon became clear that either the T-Bird parts would have to go or Bill and Sue were going to have to move. So in 1975, after quitting his position at GE, Bill purchased the buildings of an abandoned lumber company and CASCO moved to its present location. As the business grew, more and more parts were manufactured by CASCO's growing force of craftsmen. CASCO manufacturing now covers over 3000 square feet and includes manual and CNC milling, turning, cutting, bending, punching, and welding machines.

In 1979, after having a bad experience with a restoration facility on Bill's '66 Bird, Bill & Sue decided to open their own restoration business. This turned out to be a double benefit because the restoration work became an in - house application lab for testing and improving the parts being developed for sale.

Today, CASCO is managed by Bill and Sue's son Jim and his wife Betsy. The family tradition of integrity and service continues. Over 3500 items are listed in this catalog and our 13 employees are ready to serve your Classic T-Bird needs.



HOURS OF OPERATION

PARTS DEPARTMENT - 8:00 - 5:00 EST, Monday - Friday

RESTORATION DIVISION - 8:30 AM TO 4:30 PM Eastern Time - Monday through Friday

SATURDAY HOURS - Please call for an appointment

PHONES: PARTS (740)622-8561 / RESTORATIONS (740)622-9700 / FAX (740)622-5151

TOLL - FREE ORDER LINE (800)374-0914 TOLL - FREE FAX LINE - (800)513-5806

E-mail: sales@classictbird.com **WEB ADDRESS:** www.classictbird.com

Postal & Shipping Address: 795 High Street, Coshocton, Ohio 43812

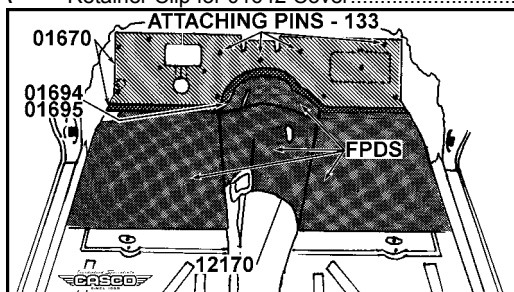


COCKPIT AREA & GLASS

- 3683A Insulator - Steering Column to Dash - Black.....4.19
- 3683B Insulator - Steering Column to Dash - White.....6.00



- 01642 Cover - Hand Brake Opening Lower LH
Corner of Firewall Pad36.79
- 01642A Retainer Clip for 01642 Cover.....5.25



- 01670 Firewall Cover with Pad & Rubber Trim78.95
- FPDS Floor Pan Deadener Set - 4 Pcs. Ready to
Install with Instruction Sheet36.95



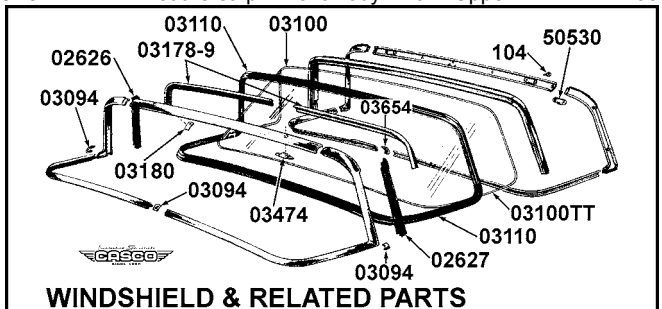
- 01672 Firewall Grommet Set - RH Vent Cable,
Main Wire Loom, Washer Hose, Vacuum
Hose, Tach Cable, and Hood Release
Cable Grommets - 6 Pcs.....16.00



- 01694 Grommet - Speedometer Cable - With S/T6.25
- 01695 Grommet - Speedometer Cable - With F/M1.90
- 01890 RH Vent Control Cable & Knob - Complete -
Used Only On T-Birds With No Heater.....41.95
- 01891 LH Vent Control Cable & Knob - Complete41.95
- 02354 Retainer - Kick Panel - RH.....43.49
- 02355 Retainer - Kick Panel - LH.....43.49



- 02626 Weatherstrip - Front Body Pillar - Upper - RH27.95
- 02627 Weatherstrip - Front Body Pillar - Upper - LH27.95



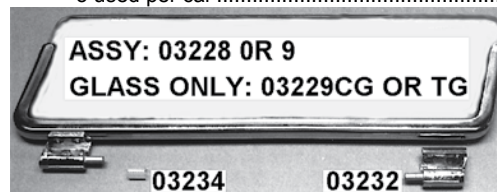
- 03094A Clip - Windshield Trim - 556.25
- 03094B Clip - Windshield Trim - 56/576.25
- 03110 Weatherstrip for windshield - Best quality82.00

REPRODUCTION WINDSHIELDS - available in the original clear or tinted glass as well as a replacement tint with a shade band across the top. The fit is excellent, even at the rear corners and the lower edge where other reproductions have not fit well. Shipped freight collect. Made in the USA.

- 03100C Windshield - Clear.....520.95
- 03100T Windshield - Tinted.....534.95
- 03100S Windshield - Tinted with Top Shade Band.....549.95



- 03138 Retainer Clip - Inside Lower Outside Windshield
Trim. Connects vertical to horizontal.....4.25
- 03178 - 9 Retainers - Windshield Header Trim - Pair.....20.75
- 03180 Clip - windshield outside top moulding retainer
5 used per car3.49



Note: Windwing assembly comes with upper hinge & glass installed but **does not** include lower hinge, bushing, or lower hinge attaching screws (Hardware Kit 220)

- 03228C Wing Assy. - Clear Glass - W/FoMoCo - RH.....79.95
- 03229C Wing Assy. - Clear Glass - W/FoMoCo - LH.....79.95
- 03228T Wing Assy. - Tinted Glass - W/FoMoCo - RH.....79.95
- 03229T Wing Assy. - Tinted Glass - W/FoMoCo - LH.....79.95
- 03229A Retainer Strip for 03229 glass. Coat with oil, install
glass & trim excess. Enough for 1 glass1.00
- 03229CG Glass - Windwing - Clear W/FoMoCo Mark17.00
- 03229TG Glass - Windwing - Tinted W/FoMoCo Mark.....17.75
- 03230 Hinge Upper - Windwing RH 56/57 W/Rivets.....19.75
- 03231 Hinge Upper - Windwing LH 56/57 W/Rivets19.75

Note: Upper windwing hinge rivets are difficult to install without special equipment. We can install upper hinges on your frame. Costs are \$12 per assembly for labor, plus cost of glass, retainer strip, hinge, bushing & screws. Labor to only replace glass (not hinge) is \$5.00 per side.

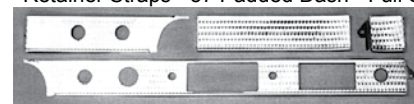
- 03230A Rivets Only - for Upper Windwing Hinge - Pkg 2
Rivets - Supplied with 03230 & 032311.50
- 03232 Hinge - Windwing - Lower - RH.....19.75
- 03233 Hinge - Windwing - Lower - LH.....19.75
- 03234 Bushing - Windwing Hinge - Price is Each.....2.50
- 03234A Set of Screws for Windwing Tension
Adjustment - Pkg. 4.....1.55
- 03474 Front top dowel striker.....24.98
- 03654 Cover - Inside Lower Windshield Molding
At Center - Chrome14.60



- 04104A Visors - Reproduced - White - 56 - Pair162.00
- 04104B Visors - Reproduced - White - 57 - Pair162.00
- 04104C Visors - Reproduced - Red - 57 - Pair162.00
- 04105 S or Z Clip - Sun Visor - Chrome (included in new
visors).....4.68
- 04131 Clip - to Retain Visor - On Header - Chrome.....19.99
- 04144A Arm & Bracket - Visor - RH - 5639.98
- 04144B Arm & Bracket - Visor - RH - 5739.98
- 04145A Arm & Bracket - Visor - LH - 5639.98
- 04145B Arm & Bracket - Visor - LH - 5739.98
- 04290C Padded dash - 57CALL



- 04291 Retainer Straps - 57 Padded Dash - Full Set.....11.90

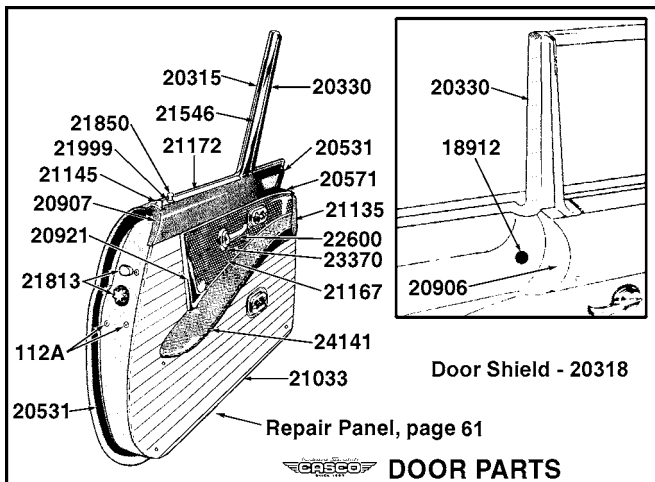


- 04338A Dash Trim Set - 55/56 - 4 Pcs294.15



- 04338B Dash Trim Set - 57 - 4 Pcs. Does Not
Include 04438C Panel Listed Below294.15

DOOR PARTS



- #18912 Grommet - Door at Upper Pillar Screw 3.25
- 20314AX Pillar - Door - Upper - 55 - RH - Repro..... 186.50
- 20315AX Pillar - Door - Upper - 55 - LH - Repro..... 186.50
- 20314BX Pillar - Door - Upper - 56/57 - RH - Repro..... 189.95
- 20315BX Pillar - Door - Upper - 56/57 - LH - Repro..... 189.95
- 20318 Shield - Plastic Sheet - Between Door & Door Panel - You Trim to Fit - for both doors..... 1.85



20320 or 1

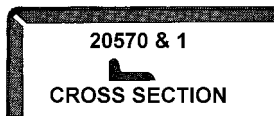
- 20320 Bracket - Upper Door Pillar - RH..... 13.60
- 20321 Bracket - Upper Door Pillar - LH..... 13.60
- #20330 Weatherstrip Door Pillar - Original Size..... 2.55
- 20530 Weatherstrip - Door - RH..... 33.50
- #20530 - 1 Weatherstrip - Doors - Best Quality - Pair..... 67.00
- 20531 Weatherstrip - Door - LH..... 33.50

DOOR WEATHERSTRIP KIT

YOU SAVE \$4.00

This kit includes all door gaskets and seals: 2 - 20330; 20530 - 1; 20570; 20571; 2 - 22428; 2 - 22448; 2 - 22478; & 2 - 18912. This kit is included in REPAINT kits.

- # DWK For 55; 56; and 57 87.30



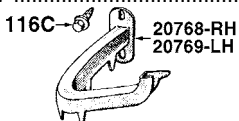
20570 & 1

CROSS SECTION

- #20570 Weatherstrip on Door - at Belt - RH - 56/57 2.85
- #20571 Weatherstrip on Door - at Belt - LH - 56/57 2.85



- 20572 Retainer - Door Weatherstrip - Above Lock RH - 57 13.25
- 20573 Retainer - Door Weatherstrip - Above Lock LH - 57 13.25



- 20768 Shield - Wiring Protector - Door Wiring - RH..... 31.45
- 20769 Shield - Wiring Protector - Door Wiring - LH..... 31.45
- 20906 Garnish Moulding - Door - Steel - RH..... 49.95
- 20907 Garnish Moulding - Door - Steel - LH..... 49.95
- 20920 Moulding "L Shape" Door Trim - RH..... 14.99
- 20921 Moulding "L Shape" Door Trim - LH..... 14.99
- 20922 Spacer - door garnish moulding..... 12.00
- 21032 Retainer - Door Panel at Bottom - 57 - RH..... 14.70
- 21033 Retainer - Door Panel at Bottom - 57 - LH..... 14.70

#INCLUDED IN REPAINT KIT - Pg 67



21122F

- 21122F Door Access Panel - Fiberglass 42.65
- 21134 Spacer - Door Moulding - Front - Steel - RH..... 41.15
- 21135 Spacer - Door Moulding - Front - Steel - LH 41.15



21144 or 5

- 21144A Plate - Door Garnish Lock Side - RH 1 Hole - Used On Early '55's..... 34.85
- 21145A Plate - Door Garnish Lock Side - LH 1 Hole - Used On Early '55's..... 34.85
- 21144 Plate - Door Garnish Lock Side - RH..... 24.95
- 21145 Plate - Door Garnish Lock Side - LH..... 24.95

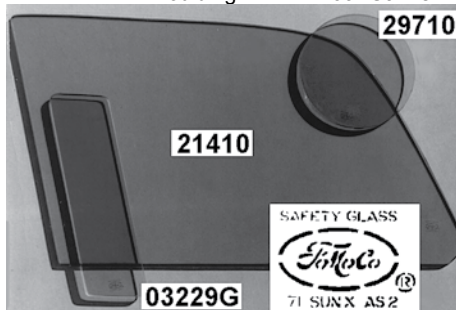


20921



21167PS

- 21166 Panel - Door Trim - RH - 1st Quality 95.80
- 21167 Panel - Door Trim - LH - 1st Quality 95.80
- 21167PS Panel - Door Trim - LH - With Hole for Power Seat Switches - 1st Quality 101.55
- 21172 Moulding - Trim - Door Garnish - Stainless 28.09



29710

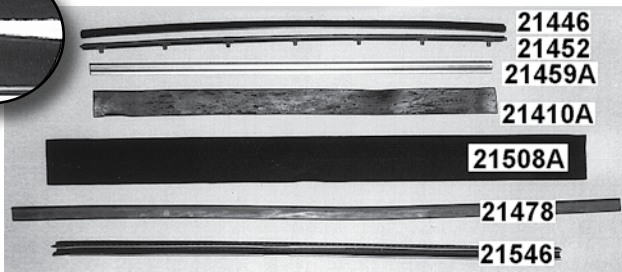
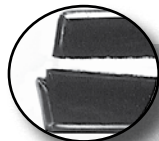
21410

03229G



Note: Because serious concours participants asked for it we can supply quarterly date codes on all T-Bird flat glass. Add \$5.00 to the cost for each piece. Just advise us of the production date of your T-Bird.

- 21410C Glass - Door - Clear - W/FoMoCo Mark..... 38.50
- 21410T Glass - Door - Tinted - W/FoMoCo Mark..... 39.50
- 21410A Retainer Strip for 21410 Glass at Bottom - Coat with Light Oil; Install Glass & Trim Excess. Enough for One Glass 1.45



21446

21452

21459A

21410A

21508A

21478

21546E

- 21446 Weatherstrip - Door Glass - Inner - Pair..... 8.50
- 21452 Weatherstrip - Door Glass - Outer - Pair - W/Clips Installed 12.60

CAT WHISKER SET

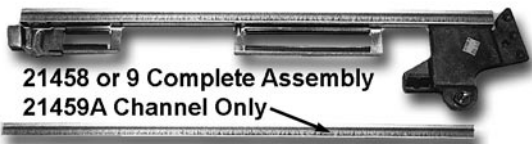
YOU SAVE \$1.00

- 21452AK Set of 4: 21446 & 21452 20.10



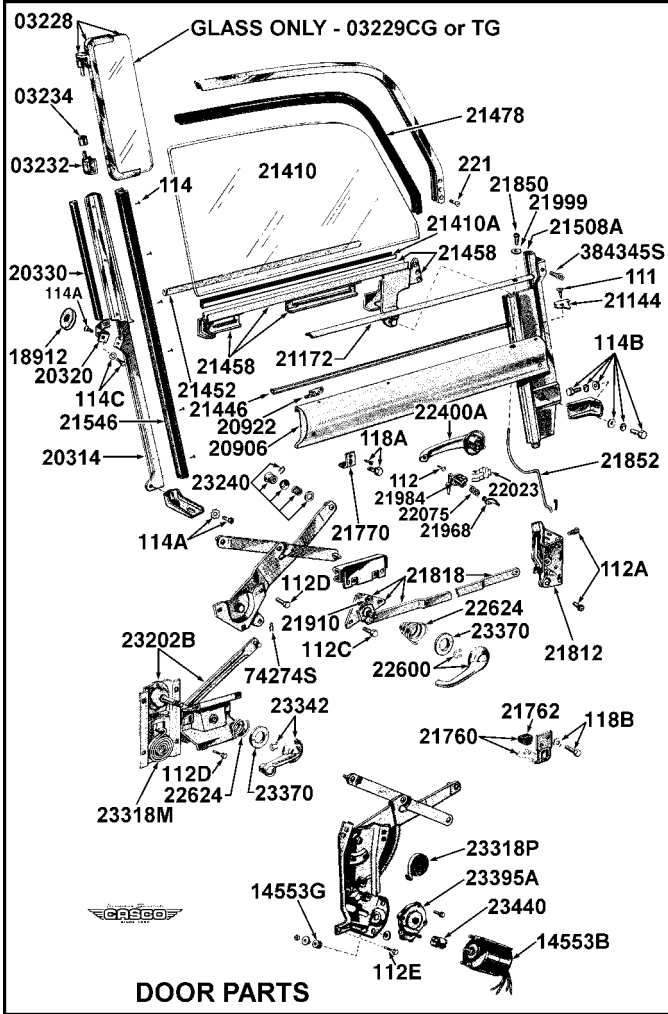
TECH TIP

□ If you can unlock your T-Bird by repeatedly pushing the outside door handle button then you have the inside door lock button (21850) screwed down too far.

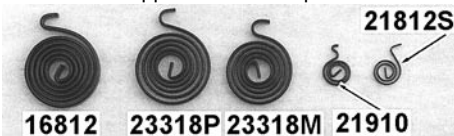


**21458 or 9 Complete Assembly
21459A Channel Only**

- 21458 Channel Assembly - Door Glass - RH 62.79
- 21459 Channel Assembly - Door Glass - LH 62.79
- 21459A Channel Only - Door Glass Lower -
Requires Use of Your Guides 4.75
- 21478 Door Glass Upper Retainer Rubber
Correct Shape & Size - 55/56 3.15
- 21478B Door Glass Upper Retainer Strip
Correct Cloth Covered Material - 57 3.35
- 21508A Lining - Lock Side Door Glass Run - 30" -
Enough for 1 Car - Glue Into Place 4.70



- 21546 Run - Door Glass - Hinge Side 19.50
- 21760 Bracket - Lower Window Stop With Bumper 14.68
- 21762 Bumper - Lower Window Stop - Rubber 1.35
- 21770 Bracket - Upper Window Stop - 4 Used/Car 4.10



- 21812S Spring - Inside Door Lock Assembly 5.20

DOOR LOCK ASSEMBLIES REBUILT BY EXCHANGE ONLY:

- 21812A Door Lock Assy Rebuilt -Exchange** RH 55 32.00
- 21813A Door Lock Assy Rebuilt -Exchange** LH 55 32.00
- 21812B Door Lock Assy Rebuilt -Exchange** RH 56/57 32.00
- 21813B Door Lock Assy Rebuilt -Exchange** LH 56/57 32.00

**TO EXCHANGE: Ship used Tbird lock assembly to CASCO with payment and return address.

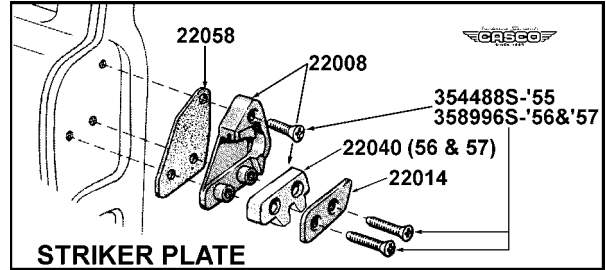
- 21818 Remote - Door Handle Control - RH 49.27
- 21819 Remote - Door Handle Control - LH 49.27



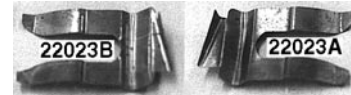
- 21850 Lock Button - Highly Polished Stainless 6.95
- 21852 Rod - Door Lock Button 11.50
- 21910 Spring - Door Handle Remote 5.20
- 21968 Lever - Door Lock Operating 5.45

INDIVIDUAL DOOR LOCKS - ALSO SEE 22050

- 21984 Lock - Door - With Keys - RH Complete 86.15
- 21985 Lock - Door - With Keys - LH Complete 31.80
- 21999 Grommet - Door Lock Knob 95



- 22008A Plate - Door Lock Striker - RH - 55 19.95
- 22009A Plate - Door Lock Striker - LH - 55 19.95
- 22008B Plate - Door Lock Striker - RH - 56/57 19.95
- 22009B Plate - Door Lock Striker - LH - 56/57 19.95
- 22014 Striker Plate Cover Plate - 56/57 - RH 15.65
- 22015 Striker Plate Cover Plate - 56/57 - LH 15.65



- 22023A Clip - Door Lock Assembly to Door - RH 3.70
- 22023B Clip - Door Lock Assembly to Door - LH 3.70
- 22040 Insert Only - Door Lock Striker 56/57 12.40
- 22050 Lock Set - Door & Ignition With Keys - With This
Set Both Doors & the Ignition Will Be Keyed
the Same - Like Original 96.65

NOTE: No gasket is used between door lock and door.



**DOOR AND IGNITION LOCK KIT
YOU SAVE \$2.75**

- 22050AK Lock Set - Includes: 1 - 22050; 2 - 21968 and
2 - 22075 107.95

- 22058 Shim - Door Lock Striker Plate 1.00
- 22075 Spring - Door Lock Operating Lever
Retainer 70

- 22224 Upper window frame - Stainless - RH CALL
- 22225 Upper window frame - Stainless - LH CALL

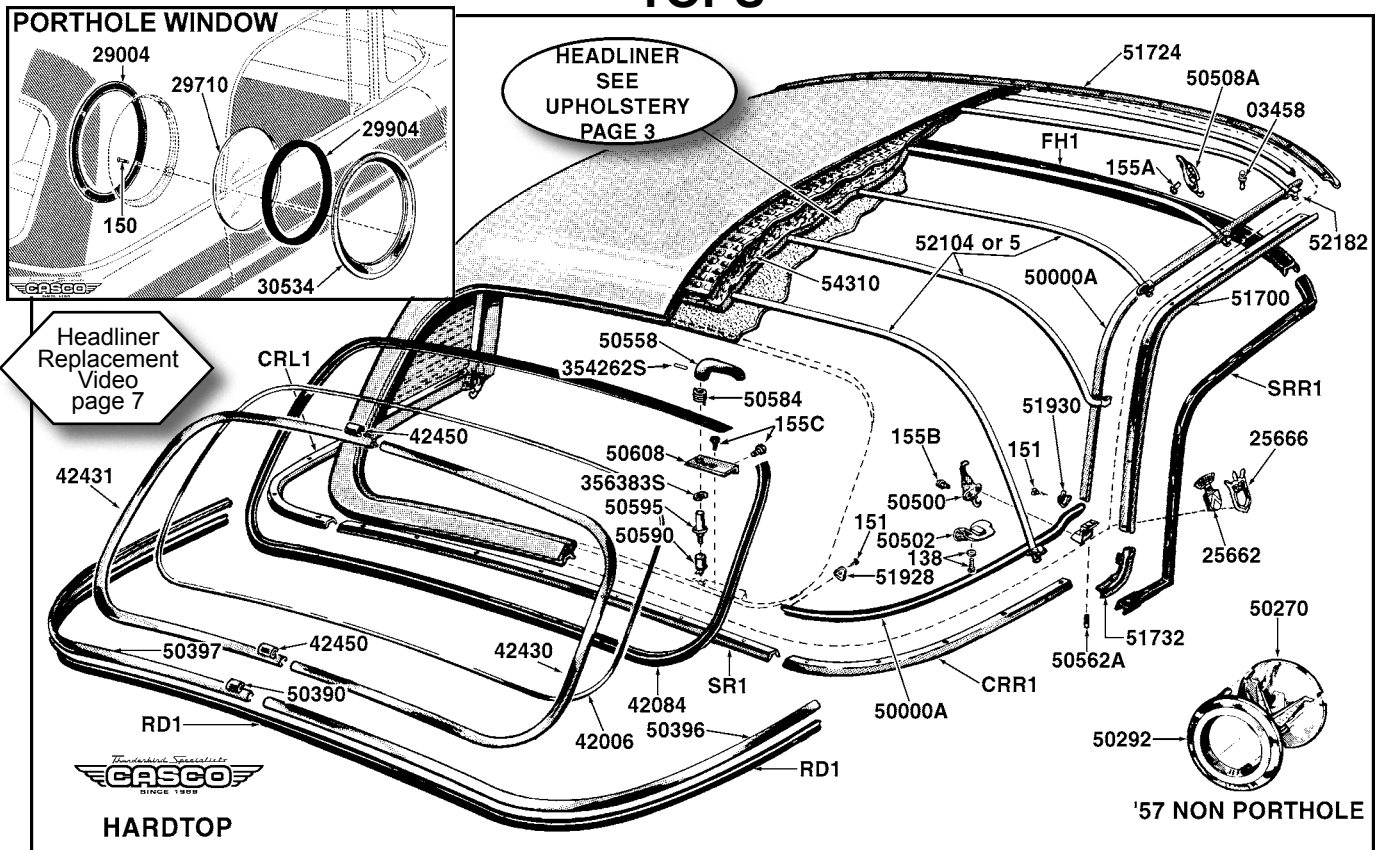
- 22225ADH Adhesive Repair Kit to Hold In Place Door
Glass Stainless That Have Become Sprung
This Product Is Recommended By Our Shop 13.95

THE LOWEST PRICE ISN'T ALWAYS THE BEST DEAL

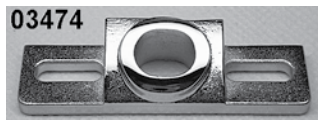
Those who always buy at the lowest price are headed for disappointments because they either don't care about quality or they assume that the quality is the same for all items. This may be a valid assumption for some items but it's definitely not for auto parts in general and specifically not for Classic T-Bird parts.

At CASCO we strive to offer only the highest quality parts available anywhere. We think our customers deserve no less.

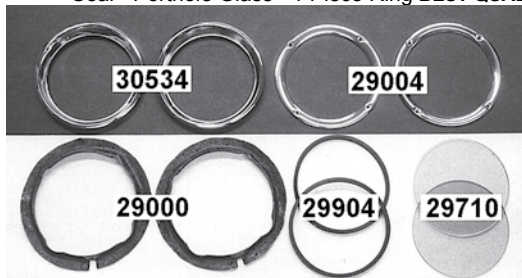
TOPS



- 03458 Alignment Dowel - Top Header..... 10.45
- 03458NUT Retainer "Nut" for 03458 - Soft Top..... 1.30
- 03474 Front top dowel striker..... 24.98



- 16789A Spring - Swing Bar - Early - 7/8" Diameter by 6 3/4" Long..... 8.08
- 16789B Spring - Swing Bar - Late - 1 1/8" Diameter by 4 1/2" Long..... 8.08
- 25662 Medallion - Hardtop - 55..... 18.89
- 25666 Retainer for 25662 - Chrome..... 18.95
- 29000 Spacers - Fiberglass - For Adding Portholes to Non Porthole Top (comes in 30000 kits)..... 133.95
- 29004 Inner Porthole Ring - Chrome Plated - Pair..... 46.15
- 29710C Glass - Porthole - Clear - FoMoCo Mark..... 15.65
- 29710T Glass - Porthole - Tinted - FoMoCo Mark..... 16.75
- 29904 Seal - Porthole Glass - 1 Piece Ring **BEST QUALITY**..... 4.25



- 30534 Outside Porthole Rings - Pair..... 71.35
- 42006CG Glass - Hardtop Backlite - Clear..... 299.00
- 42006TG Glass - Hardtop Backlite - Tinted..... 299.00
- 42084 Weatherstrip - Back Window Glass..... 32.60
- 42430 Rear glass moulding - RH..... 150.00
- 42431 Rear glass moulding - LH..... 150.00
- 42450 Clip - Rear Window Joint..... 7.85
- 50000A Hardtop Tack Strip Set..... 16.75
- 50000B Softtop Tack Strip Set..... 17.75
- 50001B Retainer Channel Kit - Rear Tack Strip..... 147.50
- 50270 Medallion - Non Porthole Top - 57..... 22.95
- 50292 Retainer - Non Porthole Top Medallion - 57..... 15.70



- 50300A Convertible Top Pins - Stainless - Set of 6 with Clips (replaces riveted pins)..... 28.30



- 50300B Convertible Top Pins - Removable Type With Retainers - Early Type Top - 12 Polished Stainless Pins and Retainers - 24 Pcs..... 54.50

- 50300C Same as 50300B Except for Later Tops 16 Polished Stainless Pins & Retainers - 32 Pcs... 68.25

Note: For a complete set of stainless soft top pins, order the 50300A and either the 50300B or 50300C

PORTHOLE INSTALLATION KIT YOU SAVE \$10.00

- Porthole Installation Kit - Includes Inner and Outer Rings, Spacers, Gaskets, Screws and Glass With FoMoCo Mark, & Installation Instructions. Requires 4 Bow Headliner Sold Separately See Page 3.
- 30000CK Kit - With Clear Glass..... 283.25
 - 30000TK Kit - With Tinted Glass..... 285.45

- ## REPLACEMENT SOFT TOP PIN COVERS
- Dress up your chrome convertible top pins with out removing them. Simply clean your top pins and cement top pin covers in place. Caps are press formed and hand polished from 304 stainless.

- 50300A - RC Pin covers - riveted pins..... 19.95
- 50300B - RC Pin covers - removable pins on an early top..... 42.95
- 50300C - RC Pin covers - removable pins on a late top..... 52.95

HOW CAN WE HELP YOU ENJOY YOUR THUNDERBIRD?

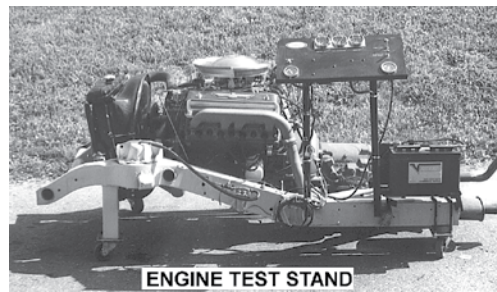
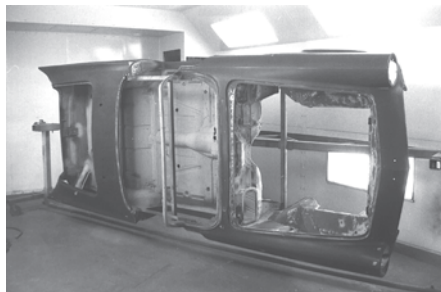
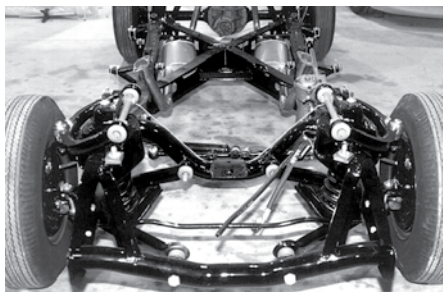
❑ Parts Celebrating our 43rd year, we have supplied quality new and reproduced parts and accessories for your Classic Thunderbird since 1969. Prompt attention to your orders and the fairest possible pricing has been the basis of our business. We, like most of you, are hobbyists who love Classic Thunderbirds. We strive to treat you and your order as we would wish to be treated.

❑ Technical Assistance We welcome the opportunity to share with you the knowledge we have gained over the years as a result of researching parts and painstaking restorations. Just call (740) 622-9700 between 9:00 and 4:00 M - F. Or submit your inquiry via email at techinfo@classictbird.com

❑ Complete Restoration Since 1979 we have been restoring Classic Thunderbirds for street and show. Because we specialize in '55 - '57 T-Birds we have the special tools and fixtures which allow our expert staff to be efficient in producing top quality work. We are big enough to serve you expertly and efficiently and small enough to give you and your Thunderbird the personal attention you deserve. Stop by or call our restoration shop manager at (740) 622-9700.

❑ Partial Restoration If your Bird needs only a partial restoration such as a new interior, new wiring, major or minor engine work and rebuilding, dash recovering, engine compartment refurbishing, convertible or hardtop work, trunk reconditioning, or just fixing a few small rust spots, you name it - we are here to help.

❑ Routine Repair Work If your Bird needs a brake job, exhaust system, shocks, glass replacement, or a tune - up you can put your car in the hands of experts where you can be assured of quality work by knowledgeable and careful workmen.



The CASCO Guarantee

All CASCO parts are guaranteed! If you are not satisfied with any item you may return it and we will promptly exchange it or send you a refund. (See details on back)



Order PH 1-800-374-0914
Toll Free FX 1-800-513-5806

International phone 740-622-8561 fax 740-622-5151
 Technical Questions? Call our technicians ph 740-622-9700

Ordered by: Check if change of address **Please ship to:** Check if change of address

This time only Gift

Name _____

Address _____

City _____

State _____ Zip _____

Daytime Phone No. _____

E-mail address: _____

Name _____

Address _____

City _____

State _____ Zip _____

Backorder? yes no (details on back)

	QTY.	CATALOG PART NUMBER	YEAR BIRD	DESCRIPTION	Pg.	PRICE EACH	TOTAL PRICE
1							
2							
3							
4							
5							
6							
7							
8							
9							
10							
11							
12							
13							
14							
15							
16							

Thank You!

Comments:

Subtotal	
Quantity Discount (See back for details)	
7% Sales tax (Ohio shipments only)	
Shipping & Handling 12% of subtot \$10min \$35max - Ohio Sales - 10% of subtotal \$7min \$25max	
Total	

Yes! Please send CASCO's e - newsletter to: _____

Yes! Please send me information on Classic Thunderbird Club International.

Method of Payment: Charge my credit card:

Card No. _____ CVV: _____



Expires: ____/____/____

Check or M.O. \$ _____

ORDERING INFORMATION

THE CASCO GUARANTEE

If you are dissatisfied with any new item you may return it along with a MERCHANDISE RETURN FORM, which can be found on page 79 or on our web site, and a copy of the invoice within 60 days of receipt for a full refund less shipping charges. Returned items must be in good, as received, condition. Used parts will be subject to a 25% restocking charge. We do not accept returned electrical parts. After 60 days, returns of new parts will be subject to a 10% restocking charge. Returned items without invoices or invoice numbers may be charged a \$5.00 search charge. Items without purchase confirmation cannot be accepted. We will not accept returns by COD or postage due. If CASCO is at fault we will refund reasonable return shipping.

TECHNICAL ASSISTANCE

So that we may serve you more efficiently, please use our technical assistance line for technical help. Phone (740) 622-9700. You can also email CASCO technicians directly at techinfo@classictbird.com

TELEPHONE & FAX ORDERS

We accept Visa, MasterCard, Discover Card, and Wire Transfer telephone orders
Toll - Free Order Line (800) 374-0914 - Toll - Free Fax Line (800) 513-5806
Local & international customers please phone (740) 622-8561 or fax (740) 622-5151
Bank charges for wire transfers are the responsibility of the customer (normally \$15 - \$20).

INTERNET ORDERS

Shop 24-7 on our web store. Go to www.classictbird.com and click on "On - line Store". We accept Visa, MasterCard, and Discover Card. Order with confidence - we make every effort to keep your transaction secure.

MAIL ORDERS

We accept personal checks, money orders, bank checks, Visa, MasterCard, and Discover Card. Please do not send cash. Please provide complete description of the parts you need. Shipments may be held for two weeks for personal checks to clear your bank. Returned checks will be assessed a \$25 NSF fee. Send to CASCO, 795 High Street, Coshocton, OH 43812
Orders shipped COD will require certified funds in the form of a Money Order or Cashiers Check ONLY. UPS & Fed Ex will not accept cash. COD charges of \$12.00 will be added to each package shipped COD.

CREDIT & DEBIT CARD ORDERS

When an order is initially placed, we perform a pre - authorization on your credit card for an amount sufficient to cover any potential charges associated with your order. This pre - authorization allocates a portion of your line of credit towards the purchase from us. Due to the restrictions of credit card processing, the pre - authorization amount is normally slightly higher than the exact order amount that is finally charged to the credit card. The exact amount is charged to the credit or debit card at the time the order is shipped from our facility. If we do not use the pre - authorization for some reason, (order cancelled, item sold out, etc.) the pre - authorized amount will be restored to your credit card's line of credit in the amount of time determined by the issuing bank. The card issuing bank may hold the original pre - authorization amount for some period of time even after we have already charged the card. Please contact your bank to find out what their policy is with regard to releasing your funds on a pre - authorization. Only your bank can decide when to release that amount back to your account.

BACKORDERS

If you order an item which we expect to be able to ship within 30 days and that item is not immediately available, we will backorder the item. Please note or advise if you *do not* wish to have items backordered. Backordered items will be sold at the price in effect at the time of shipment. Shipping charges will be added to each shipment, including any backorders, as shown below (12% of backorder subtotal - \$10.00 min. and \$35.00 max.).

QUANTITY DISCOUNT

A quantity discount will be offered on any shipment of new parts and upholstery to one location which meet the following two criteria: the *merchandise total is over \$1000 and payment is made in advance in cash or by bankcard.* Orders paid by **bankcard** (Visa, Mastercard or Discover) or **personal check**, will be extended a 7% discount off the merchandise. Orders paid in advance by **cash** or **cashiers check** will be extended a 10% discount. Discount does not apply to special order items, used parts, disc brake kits, or restoration shop billing. No additional shipping charges for backordered items on quantity discounted orders.

SHIPPING CHARGES

NORMAL SURFACE shipping charges within the continental United States will be calculated as follows: 12% of subtotal with a \$10 minimum and a \$35 maximum for each shipment. Ohio sales: 10% subtotal with \$7 min. and \$25 max.

ALL OTHER shipping methods including overnight/express services, priority mail, freight, etc. will be charged actual shipping cost, a reasonable box & pack charge plus a \$5.00 special handling fee. Truck and Air Express shipments will be sent freight collect.

OVERSEAS shipments may be charged a \$5.00 documentation charge in addition to all other charges. Shipments outside the continental United States, please specify your preferred method for shipping.

OHIO SALES TAX

Ohio sales tax is charged on all pickup orders and all orders shipped to a location in the state of Ohio.

PRICES & AVAILABILITY

All prices are subject to change without notice. Availability is subject to prior sale.

LIABILITY

The seller, CLASSIC AUTO SUPPLY CO. INC. hereby expressly disclaims all warranties, either expressed or implied, including any implied warranty of merchantability or fitness for a particular purpose, and CLASSIC AUTO SUPPLY CO. INC. neither assumes nor authorizes any other person to assume for it any liability in connection with the sale of this merchandise.

The liability of CLASSIC AUTO SUPPLY is limited only to the replacement of defective parts. No labor claims will be honored.

- Accessories
- Books
- Brakes
- Bumpers
- Car Care
- Cockpit Area & Glass
- Cooling & Body Front
- Doors
- Electrical-Charg & Starter
- Electrical-Ignition
- Electrical-Lamps & Body
- Engine & Mounts
- Exhaust
- Front Fenders & Hood
- Front Suspension
- Fuel System
- Hardware
- Hardware Kits-All
- Heater
- Mirrors
- Paint & Adhesives
- Radio & Antenna
- Rear Axle & Driveshaft
- Rear Quarters & Skirts
- Rear Springs
- Repair Panels
- Shock Absorbers
- Steering
- Tires & Wheels
- Tools-Special
- Tops
- Transmission & Shifters
- Trunk
- Upholstery
- Vent Systems
- Wipers & Washers



Classic Auto Supply Co., Inc.
795 High St.
Coshocton, Ohio 43812

PRESORTED
STANDARD
U.S. POSTAGE
PAID
LOUDONVILLE, OHIO
PERMIT NO. 38

Change Service Requested

ORDERS - USA & Canada
Phone: (800) 374-0914
Fax: (800) 513-5806

INTERNATIONAL & Local
Phone: (740) 622-8561
Fax: (740) 622-5151

TECHNICAL HELP
Phone: (740) 622-9700

E-mail: casco@classictbird.com
Website: www.classictbird.com

Electronic Newsletter

Our electronic news letter includes new CASCO reproductions, technical tips, special sale prices, and other Thunderbird and CASCO news items. Sign up through our web site or simply give us a call and we can add your e-mail. By joining, you will be eligible for our monthly CASCO gift certificate drawing.



Club Participation

CASCO has consistently supported the TBird hobby through local and national car clubs. We believe that participation in a club is a sure way to maximize the enjoyment of our little birds. If you are not a member of a club, we encourage you to consider joining today. Three of the national clubs catering to T-Birds are:

CTCI: www.ctci.org
ITC: www.intl-tbirdclub.com
VTCL: www.vintagethunderbirdclub.net

Parts Department:
Monday - Friday 8:00 to 5:00 EST
Phone 740/622-8561
24 hr Ordering: www.classictbird.com

Restoration Department:
Monday - Friday 8:30 to 4:30 EST
Phone 740/622-9700



Order Phone: 800-374-0914

© 2012 Classic Auto Supply Co. Inc
Printed in U.S.A.