

*Thunderbird Specialists*

# COASCO

SINCE 1969



**1955-1957 THUNDERBIRD ILLUSTRATED CATALOG 2012**

# CLASSIC AUTO SUPPLY CO., INC.

## CASCO HISTORY - A FAMILY TRADITION

It didn't start out to be a business. We didn't buy a building, slap a sign on it and announce to the world "Here we are - buy your T-Bird parts from us" nor did we even start out as a planned business venture. Bill Brown was an engineer and product manager for GE. However, he was also a "car nut" and enjoyed working on cars. At the suggestion of his wife Sue, Bill purchased a '57 T-Bird that needed a lot of work. This was in 1968. As the restoration process progressed, Bill found that there were many parts that he needed that weren't available for his own car, and as a service to other T-Birders he found sources and had these parts reproduced. At that time, there were few T-Bird parts vendors and Bill only reproduced parts that were not available elsewhere.

The parts inventory grew and began to consume every available nook in Bill & Sue's house. The glass production took over the garage, Sue's oven was being used to bake grommets, and a makeshift order processing center was set up among the parts in the basement. It soon became clear that either the T-Bird parts would have to go or Bill and Sue were going to have to move. So in 1975, after quitting his position at GE, Bill purchased the buildings of an abandoned lumber company and CASCO moved to its present location. As the business grew, more and more parts were manufactured by CASCO's growing force of craftsmen. CASCO manufacturing now covers over 3000 square feet and includes manual and CNC milling, turning, cutting, bending, punching, and welding machines.

In 1979, after having a bad experience with a restoration facility on Bill's '66 Bird, Bill & Sue decided to open their own restoration business. This turned out to be a double benefit because the restoration work became an in - house application lab for testing and improving the parts being developed for sale.

Today, CASCO is managed by Bill and Sue's son Jim and his wife Betsy. The family tradition of integrity and service continues. Over 3500 items are listed in this catalog and our 13 employees are ready to serve your Classic T-Bird needs.



### **HOURS OF OPERATION**

**PARTS DEPARTMENT** - 8:00 - 5:00 EST, Monday - Friday

**RESTORATION DIVISION** - 8:30 AM TO 4:30 PM Eastern Time - Monday through Friday

**SATURDAY HOURS** - Please call for an appointment

**PHONES:** PARTS (740)622-8561 / RESTORATIONS (740)622-9700 / FAX (740)622-5151

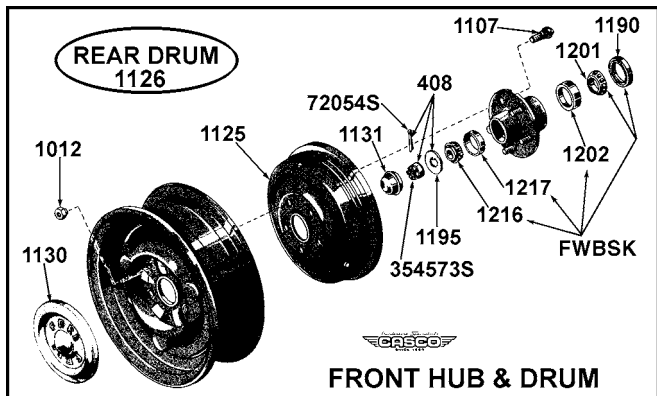
**TOLL - FREE ORDER LINE (800)374-0914 TOLL - FREE FAX LINE - (800)513-5806**

**E-mail:** [sales@classictbird.com](mailto:sales@classictbird.com) **WEB ADDRESS:** [www.classictbird.com](http://www.classictbird.com)

**Postal & Shipping Address:** 795 High Street, Coshocton, Ohio 43812



# WHEELS, HUBCAPS & TIRES



1012	Wheel Nut .....	55
1107	Bolt - Fr. & Rr. Hub & Spare Carrier - 56 .....	3.15
1125A	Front Brake Drum - Replacement - 55/56 .....	91.95
1125B	Front Brake Drum - Replacement - 57 .....	91.95
1126A	Rear Brake Drum - Replacement - 55/56 .....	91.95
1126B	Rear Brake Drum - Replacement - 57 .....	91.95

**NOTE: BRAKE DRUMS SHIPPED AT ACTUAL COST.**



1130A	Hubcap - 55/56 Full Wheel .....	89.00
1130B	Hubcap - 57 Full Wheel .....	83.15
1130C	Hubcap - 55 - Small - Red Center .....	45.95
1130D	Hubcap - 56 - Small - White Center .....	45.95
1130E	Hubcap - 55/56 - wire basket hubcap - Snaps directly onto rim like a full wheel hubcap without use of old style clips. Looks like original when installed .....	139.95
1130EV	Hubcap - 55/56 - wire basket hubcap - Snaps directly on to rim like a full wheel hubcap without use of old style clips, but has a hole for valve stem extension .....	139.95



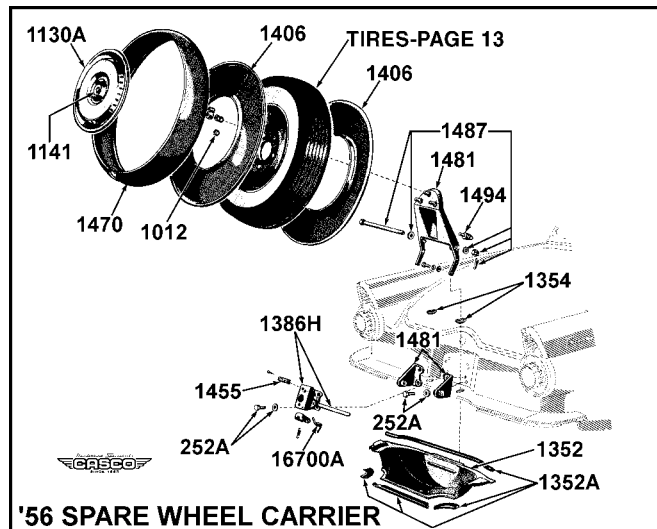
## WIRE WHEEL HUBCAP SETS

These hubcap sets are the simulated wire wheel baskets but with no bothersome clips! Each set contains the baskets and the small cap with white or red centers. They look just like original when installed.

Save \$70.00 on sets of 4. Save \$85.00 on sets of 5.		
WHS4RED	Set for 4 wheels w/ red center - 55 .....	673.60
WHS4WHITE	Set for 4 wheels w/ white center - 56 .....	673.60
WHS5RED	Set for 5 wheels w/ red center - 55 .....	844.50
WHS5WHITE	Set for 5 wheels w/ white center - 56 .....	844.50

The same hubcap sets, the simulated wire wheel baskets with no clips, but these sets have a hole in the large trim ring for easy access to the air valve. No need to remove the hubcap to check the air! Each set contains the baskets and the small cap with white or red centers.

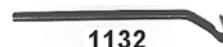
Save \$70.00 on sets of 4. Save \$85.00 on sets of 5.		
WHS4VR	Set for 4 wheels w/ red center - 55 .....	673.60
WHS4VW	Set for 4 wheels w/ white center - 56 .....	673.60
WHS5VR	Set for 5 wheels w/ red center - 55 .....	844.50
WHS5VW	Set for 5 wheels w/ white center - 56 .....	844.50



## '56 SPARE WHEEL CARRIER

For 1131 Installation tool see page 57 - TL8

1131	Cap - Hub Grease .....	9.85
------	------------------------	------



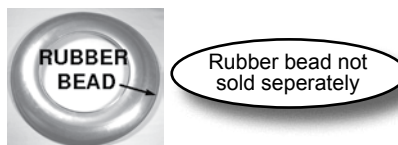
1132	Hubcap Removal Tool - Was Supplied With all '56 Birds. An excellent reproduction. Great for use On Other Cars Too .....	10.45
------	---	-------



1141	Plastic Medallion - Wheel Cover - 55/56 - (Included With 1130A) .....	26.89
1150	Clip & Bumper for Wire Wheel Hubcaps Spring Steel Like Original .....	3.95
1151	Rubber Bumper Only for Wire Wheel Clip .....	.50
1190	Seal - Front Wheel Grease .....	3.66
1195	Washer - Special Front Spindle .....	7.37
1201	Cone & Roller - Fr. Wheel Inner Bearing .....	13.08
1202	Cup - Fr. Wheel Inner Bearing .....	6.54
1216	Cone & Roller - Fr. Wheel Outer Bearing .....	9.17
1217	Cup - Fr. Wheel Outer Bearing .....	6.59

## FWBSK Front Wheel Bearing & Seal Kit, 10 pcs.....55.00

1352	Stone Guard - Spare Wheel - 56 - Fiberglass .....	155.89
1352A	Seals - Spare Wheel Stone Guard - 56 - 4 pc .....	15.65
1354	Seals Spare Wheel Stone Guard Atta - ching Arm - 56 - Pkg 2 Pcs .....	9.35
1386H	Hinge Lever Assembly - Spare Wheel - 56 .....	125.00



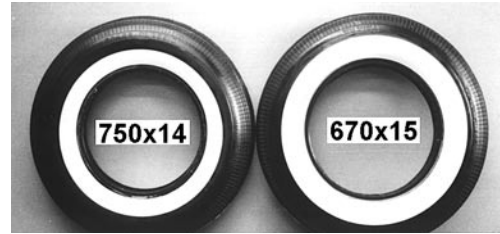
1406	Tire Cover - Spare Wheel - 56 - Steel - With Rubber Bead Around the Outside Edge To Protect Paint - Like Original .....	179.90
1455	Bumper - Spare Wheel Hinge - 56 .....	5.37
1457	Wingnut for spare wheel - like original for 55 & 57 .....	13.95
1457X	Wingnut for spare wheel - replacement - 55 & 57 ...	3.15
1470	Ring - Spare Wheel Tire Cover - 56 - Fiberglass .....	133.00
1481	Hinge & Mount - Spare Wheel Holder - With RH & LH Mounting Brackets & 1487 Bolt .....	129.95
1487	Bolt - Cont. Kit Hinge With Washers, Nut & Cotter Pin - Comes With 1481 .....	10.45
1494	Hinge Locking Pin - Spare Wheel - 56 .....	21.85

# TIRES



## SCHRADER TIRE VALVES & CAPS

1705	Valve Stem Extension - Concur Correct - 57	13.10
1705AK	Valve Stem Extensions - Package of 4 1705's & 1 Valvecap for spare - 57	48.95
1705BK	Valve Extensions - Use With 1130EV 4pc	7.55
1705CK	Valve Extensions - Use With 1130EV 5pc	9.45
16700A	Spring - Inside Latch Assembly	3.70
VALVE556	Valve - Tubeless Tire - 55/56 - Use 5/Car	.80
VALVE57	Valve - Tubeless Tire - 57 - Use 5/Car	.80
VALVECAP	Valve Caps - Nickel on Brass - Correct For all 55/56's and 57's Without Full Wheelcover	
	Package of 5 Caps	3.15



**TIRES** - The non radial tires we sell are concours acceptable. They are tubeless 4 ply polyester with the proper profile ratio and proper width of whitewall.

## GOODYEAR WIDE WHITEWALL TIRES

670x15G	Tire - 670x15 - 2 11/16" Wide White - Goodyear Name in Whitewall - 55/56*	250.00
750x14G	Tire - 750x14 - 2 1/4" Wide White - Goodyear Name in Whitewall - 57*	215.00

## WIDE WHITE RADIALS

### RADIALS by COKER TIRE

NOT GRIND - OUTS But True Top Quality Wide White Radials. Now You Can Enjoy a MODERN RIDE And Retain That CLASSIC LOOK.

P205R15	Radial Tire - 15" With 2 3/8" Wide White*	239.00
P205R14	Radial Tire - 14" With 2 3/8" Wide White*	215.00

### RADIALS by GOODYEAR®

Classic wide white radials for the Thunderbird.

P205R15G	Radial Tire - 15" With 2 3/8" Wide White*	272.00
P205R14G	Radial Tire - 14" With 2 3/8" Wide White*	279.00

\*ALL TIRES ARE DROP SHIPPED DIRECTLY FROM OUR SUPPLIER TO REDUCE SHIPPING CHARGES. OUR NORMAL SHIPPING CHARGE POLICY DOES NOT APPLY TO TIRES. TIRES ARE SHIPPED VIA UPS OR FED EX AT ACTUAL SHIPPING COSTS. CALL FOR A QUOTE ON TIRE SHIPPING.

## HARDWARE KITS FOR THIS AREA - Complete List - Page 40

252A	Continental Kit - 56	5.40
252B	Continental Kit Stone Guard (1352) to Holder - 56 - 12 pcs	1.75
408	Front Hub to Spindle - 6 pcs	21.50

## WIDE WHITEWALL TIRE CLEANER

Tire cleaner especially for wide whitewalls. Put the squeeze on grease, grime and more. 16 oz. bottle with spray nozzle. WWTC Tire cleaner for wide whitewalls. 8.29

## OUR CUSTOMERS WRITE

"...in this day and age it seems to be a rare occurrence where a merchant will go the extra mile as you did...to try for customer satisfaction." ...Utah

## CASCO "HOW - TO" VIDEOS

CASCO has collaborated with Hasseman Marketing and Communications to produce a series of videos to assist hobbyists in various aspects of maintenance and restoration of the Classic Thunderbird. CASCO has been in the Thunderbird parts and restoration business for 41 years and is putting their expertise into the creation of these videos for the Classic T-Bird hobby.

Call or visit our website at [www.classictbird.com](http://www.classictbird.com) to find out about newly released videos not mentioned below.



These videos have been made in response to numerous requests from our customers for more informational material aimed to assist hobbyists with their "weekend projects." The first of the videos details the recovering of a soft top. The second is a video in which our upholsterer installs a headliner on a T-Bird. The third video is aimed at Classic Thunderbird owners who are new to the hobby basically introducing them to the car. Videos are available on VHS tape or DVD. Suggestions for future video topics may be e-mailed to us at [casco@classictbird.com](mailto:casco@classictbird.com).

CV1	CASCO video - Recovering the soft top/DVD	19.95
CV1 - VHS	CASCO video - Recovering the soft top/VHS	19.95
CV2	CASCO video - Headliner installation/DVD	19.95
CV2 - VHS	CASCO video - Headliner installation/VHS	19.95
CV3	CASCO video - Early Bird introduction/DVD	19.95
CV3 - VHS	CASCO video - Early Bird Introduction/VHS	19.95
CV4	CASCO video - Seat recovering/DVD	19.95
CV4 - VHS	CASCO video - Seat recovering/VHS	19.95
CV5	CASCO video - 57 dash pad installation/DVD	19.95
CV5 - VHS	CASCO video - 57 dash pad installation/VHS	19.95

We are phasing out the VHS format videos. The VHS videos are available only while supplies last.

## SHOP MANUALS ON YOUR COMPUTER



SHOP MANUALS on CD - ROM. One year per CD. PDF format. SM55 - CD, SM56 - CD, SM57 - CD 21.95



# HOW CAN WE HELP YOU ENJOY YOUR THUNDERBIRD?

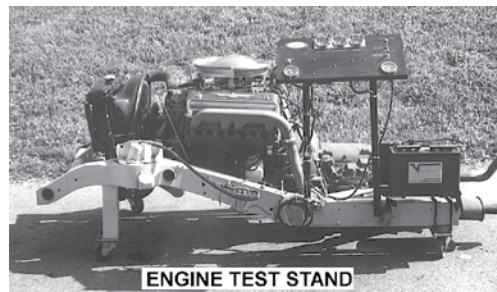
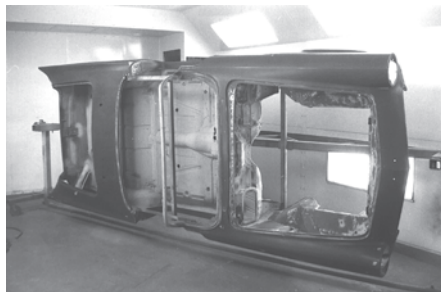
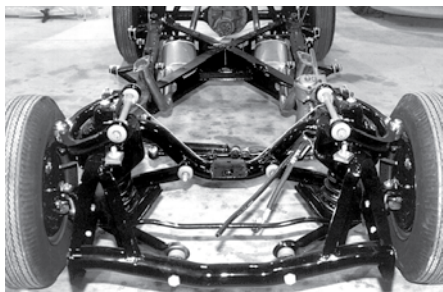
**❑ Parts** Celebrating our 43<sup>rd</sup> year, we have supplied quality new and reproduced parts and accessories for your Classic Thunderbird since 1969. Prompt attention to your orders and the fairest possible pricing has been the basis of our business. We, like most of you, are hobbyists who love Classic Thunderbirds. We strive to treat you and your order as we would wish to be treated.

**❑ Technical Assistance** We welcome the opportunity to share with you the knowledge we have gained over the years as a result of researching parts and painstaking restorations. Just call (740) 622-9700 between 9:00 and 4:00 M - F. Or submit your inquiry via email at [techinfo@classictbird.com](mailto:techinfo@classictbird.com)

**❑ Complete Restoration** Since 1979 we have been restoring Classic Thunderbirds for street and show. Because we specialize in '55 - '57 T-Birds we have the special tools and fixtures which allow our expert staff to be efficient in producing top quality work. We are big enough to serve you expertly and efficiently and small enough to give you and your Thunderbird the personal attention you deserve. Stop by or call our restoration shop manager at (740) 622-9700.

**❑ Partial Restoration** If your Bird needs only a partial restoration such as a new interior, new wiring, major or minor engine work and rebuilding, dash recovering, engine compartment refurbishing, convertible or hardtop work, trunk reconditioning, or just fixing a few small rust spots, you name it - we are here to help.

**❑ Routine Repair Work** If your Bird needs a brake job, exhaust system, shocks, glass replacement, or a tune - up you can put your car in the hands of experts where you can be assured of quality work by knowledgeable and careful workmen.



**The CASCO Guarantee**

All CASCO parts are guaranteed! If you are not satisfied with any item you may return it and we will promptly exchange it or send you a refund. (See details on back)



**Order PH 1-800-374-0914**  
**Toll Free FX 1-800-513-5806**

International phone 740-622-8561 fax 740-622-5151  
 Technical Questions? Call our technicians ph 740-622-9700

**Ordered by:**  Check if change of address **Please ship to:**  Check if change of address

This time only  Gift

Name \_\_\_\_\_

Address \_\_\_\_\_

City \_\_\_\_\_

State \_\_\_\_\_ Zip \_\_\_\_\_

Daytime Phone No. \_\_\_\_\_

E-mail address: \_\_\_\_\_

Name \_\_\_\_\_

Address \_\_\_\_\_

City \_\_\_\_\_

State \_\_\_\_\_ Zip \_\_\_\_\_

Backorder?  yes  no (details on back)

	QTY.	CATALOG PART NUMBER	YEAR BIRD	DESCRIPTION	Pg.	PRICE EACH	TOTAL PRICE
1							
2							
3							
4							
5							
6							
7							
8							
9							
10							
11							
12							
13							
14							
15							
16							

*Thank You!*

Comments:

Subtotal	
Quantity Discount (See back for details)	
7% Sales tax (Ohio shipments only)	
Shipping & Handling 12% of subtot \$10min \$35max - Ohio Sales - 10% of subtotal \$7min \$25max	
<b>Total</b>	

**Yes!** Please send CASCO's e - newsletter to: \_\_\_\_\_

**Yes!** Please send me information on Classic Thunderbird Club International.

**Method of Payment:**  Charge my credit card:

Card No. \_\_\_\_\_ CVV: \_\_\_\_\_



Expires: \_\_\_\_/\_\_\_\_/\_\_\_\_

Check or M.O. \$ \_\_\_\_\_

## ORDERING INFORMATION

### THE CASCO GUARANTEE

If you are dissatisfied with any new item you may return it along with a MERCHANDISE RETURN FORM, which can be found on page 79 or on our web site, and a copy of the invoice within 60 days of receipt for a full refund less shipping charges. Returned items must be in good, as received, condition. Used parts will be subject to a 25% restocking charge. We do not accept returned electrical parts. After 60 days, returns of new parts will be subject to a 10% restocking charge. Returned items without invoices or invoice numbers may be charged a \$5.00 search charge. Items without purchase confirmation cannot be accepted. We will not accept returns by COD or postage due. If CASCO is at fault we will refund reasonable return shipping.

### TECHNICAL ASSISTANCE

So that we may serve you more efficiently, please use our technical assistance line for technical help. Phone (740) 622-9700. You can also email CASCO technicians directly at [techinfo@classictbird.com](mailto:techinfo@classictbird.com)

### TELEPHONE & FAX ORDERS

We accept Visa, MasterCard, Discover Card, and Wire Transfer telephone orders  
Toll - Free Order Line (800) 374-0914 - Toll - Free Fax Line (800) 513-5806  
Local & international customers please phone (740) 622-8561 or fax (740) 622-5151  
Bank charges for wire transfers are the responsibility of the customer (normally \$15 - \$20).

### INTERNET ORDERS

Shop 24-7 on our web store. Go to [www.classictbird.com](http://www.classictbird.com) and click on "On - line Store". We accept Visa, MasterCard, and Discover Card. Order with confidence - we make every effort to keep your transaction secure.

### MAIL ORDERS

We accept personal checks, money orders, bank checks, Visa, MasterCard, and Discover Card. Please do not send cash. Please provide complete description of the parts you need. Shipments may be held for two weeks for personal checks to clear your bank. Returned checks will be assessed a \$25 NSF fee. Send to CASCO, 795 High Street, Coshocton, OH 43812  
Orders shipped COD will require certified funds in the form of a Money Order or Cashiers Check ONLY. UPS & Fed Ex will not accept cash. COD charges of \$12.00 will be added to each package shipped COD.

### CREDIT & DEBIT CARD ORDERS

When an order is initially placed, we perform a pre - authorization on your credit card for an amount sufficient to cover any potential charges associated with your order. This pre - authorization allocates a portion of your line of credit towards the purchase from us. Due to the restrictions of credit card processing, the pre - authorization amount is normally slightly higher than the exact order amount that is finally charged to the credit card. The exact amount is charged to the credit or debit card at the time the order is shipped from our facility. If we do not use the pre - authorization for some reason, (order cancelled, item sold out, etc.) the pre - authorized amount will be restored to your credit card's line of credit in the amount of time determined by the issuing bank. The card issuing bank may hold the original pre - authorization amount for some period of time even after we have already charged the card. Please contact your bank to find out what their policy is with regard to releasing your funds on a pre - authorization. Only your bank can decide when to release that amount back to your account.

### BACKORDERS

If you order an item which we expect to be able to ship within 30 days and that item is not immediately available, we will backorder the item. Please note or advise if you *do not* wish to have items backordered. Backordered items will be sold at the price in effect at the time of shipment. Shipping charges will be added to each shipment, including any backorders, as shown below (12% of backorder subtotal - \$10.00 min. and \$35.00 max.).

### QUANTITY DISCOUNT

A quantity discount will be offered on any shipment of new parts and upholstery to one location which meet the following two criteria: the *merchandise total is over \$1000 and payment is made in advance in cash or by bankcard.* Orders paid by **bankcard** (Visa, Mastercard or Discover) or **personal check**, will be extended a 7% discount off the merchandise. Orders paid in advance by **cash** or **cashiers check** will be extended a 10% discount. Discount does not apply to special order items, used parts, disc brake kits, or restoration shop billing. No additional shipping charges for backordered items on quantity discounted orders.

### SHIPPING CHARGES

NORMAL SURFACE shipping charges within the continental United States will be calculated as follows: 12% of subtotal with a \$10 minimum and a \$35 maximum for each shipment. Ohio sales: 10% subtotal with \$7 min. and \$25 max.

ALL OTHER shipping methods including overnight/express services, priority mail, freight, etc. will be charged actual shipping cost, a reasonable box & pack charge plus a \$5.00 special handling fee. Truck and Air Express shipments will be sent freight collect.

OVERSEAS shipments may be charged a \$5.00 documentation charge in addition to all other charges. Shipments outside the continental United States, please specify your preferred method for shipping.

### OHIO SALES TAX

Ohio sales tax is charged on all pickup orders and all orders shipped to a location in the state of Ohio.

### PRICES & AVAILABILITY

All prices are subject to change without notice. Availability is subject to prior sale.

### LIABILITY

The seller, CLASSIC AUTO SUPPLY CO. INC. hereby expressly disclaims all warranties, either expressed or implied, including any implied warranty of merchantability or fitness for a particular purpose, and CLASSIC AUTO SUPPLY CO. INC. neither assumes nor authorizes any other person to assume for it any liability in connection with the sale of this merchandise.

The liability of CLASSIC AUTO SUPPLY is limited only to the replacement of defective parts. No labor claims will be honored.

- Accessories
- Books
- Brakes
- Bumpers
- Car Care
- Cockpit Area & Glass
- Cooling & Body Front
- Doors
- Electrical-Charg & Starter
- Electrical-Ignition
- Electrical-Lamps & Body
- Engine & Mounts
- Exhaust
- Front Fenders & Hood
- Front Suspension
- Fuel System
- Hardware
- Hardware Kits-All
- Heater
- Mirrors
- Paint & Adhesives
- Radio & Antenna
- Rear Axle & Driveshaft
- Rear Quarters & Skirts
- Rear Springs
- Repair Panels
- Shock Absorbers
- Steering
- Tires & Wheels
- Tools-Special
- Tops
- Transmission & Shifters
- Trunk
- Upholstery
- Vent Systems
- Wipers & Washers



Classic Auto Supply Co., Inc.  
795 High St.  
Coshocton, Ohio 43812

PRESORTED  
STANDARD  
U.S. POSTAGE  
**PAID**  
LOUDONVILLE, OHIO  
PERMIT NO. 38

*Change Service Requested*

**ORDERS - USA & Canada**  
**Phone: (800) 374-0914**  
**Fax: (800) 513-5806**

**INTERNATIONAL & Local**  
**Phone: (740) 622-8561**  
**Fax: (740) 622-5151**

**TECHNICAL HELP**  
**Phone: (740) 622-9700**

E-mail: [casco@classictbird.com](mailto:casco@classictbird.com)  
Website: [www.classictbird.com](http://www.classictbird.com)

### Electronic Newsletter

Our electronic news letter includes new CASCO reproductions, technical tips, special sale prices, and other Thunderbird and CASCO news items. Sign up through our web site or simply give us a call and we can add your e-mail. By joining, you will be eligible for our monthly CASCO gift certificate drawing.



### Club Participation

CASCO has consistently supported the TBird hobby through local and national car clubs. We believe that participation in a club is a sure way to maximize the enjoyment of our little birds. If you are not a member of a club, we encourage you to consider joining today. Three of the national clubs catering to T-Birds are:

CTCI: [www.ctci.org](http://www.ctci.org)

ITC: [www.intl-tbirdclub.com](http://www.intl-tbirdclub.com)

VTCL: [www.vintagethunderbirdclub.net](http://www.vintagethunderbirdclub.net)

### Parts Department:

**Monday - Friday 8:00 to 5:00 EST**

**Phone 740/622-8561**

**24 hr Ordering: [www.classictbird.com](http://www.classictbird.com)**

### Restoration Department:

**Monday - Friday 8:30 to 4:30 EST**

**Phone 740/622-9700**



**Order Phone: 800-374-0914**

© 2012 Classic Auto Supply Co. Inc  
Printed in U.S.A.