

*Thunderbird Specialists*

# COASCO

SINCE 1969

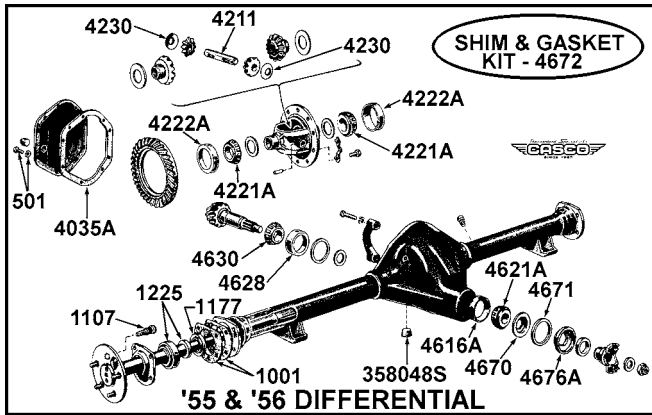
★ PARTS ★ RESTORATIONS ★ TECHNICAL ASSISTANCE ★



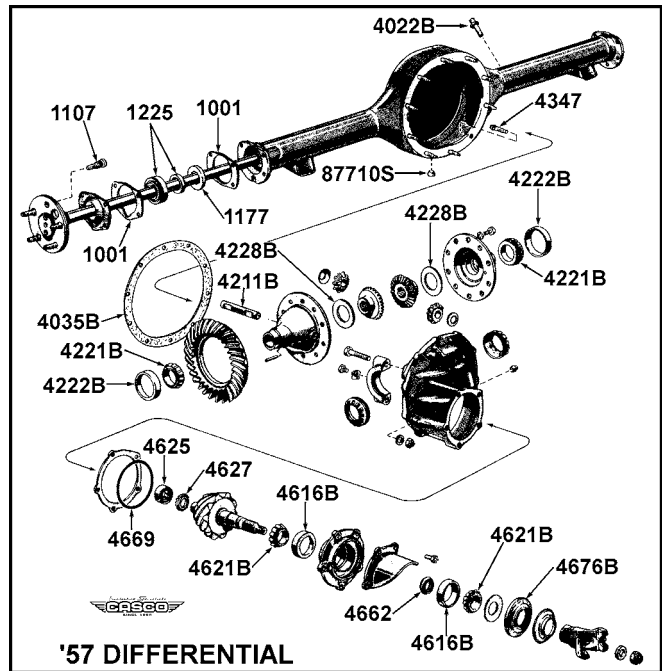
**1955-1957 THUNDERBIRD ILLUSTRATED CATALOG 2010**

# CLASSIC AUTO SUPPLY CO., INC.

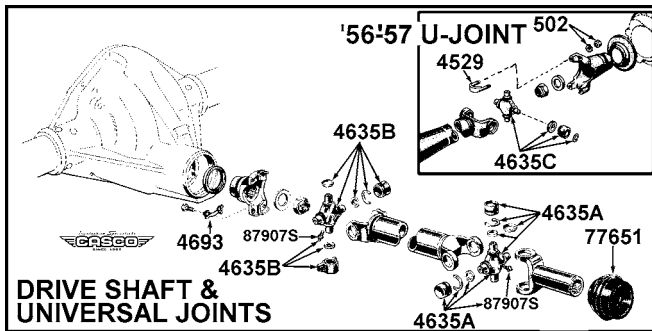
## REAR AXLES & DRIVESHAFT



1001	Gasket-Rear Wheel Bearing Retainer.....	79
1107	Bolt-Front Hub & Rear Axle.....	3.15
1177	Inner Seal-Rear Wheel.....	4.82
1225	Bearing-Rear Wheel.....	31.49
4022B	Bolt-Rear Brake Breathe-57.....	21.80
4035A	Gasket-Rear Axle Carrier-55/56.....	6.52
4035B	Gasket-Rear Axle Carrier-57.....	5.62
4211	Shaft-Differential Pinion-55/56.....	18.46
4211B	Shaft-Differential Pinion-57.....	26.69
4221A	Cone & Roller-Differential Brg.-55/56.....	29.75
4221B	Cone & Roller-Differential Bearing-57.....	18.27
4222A	Cup-Differential Bearing-55/56.....	15.00
4222B	Cup-Differential Bearing-57.....	9.75
4228B	Washer-Differential Side Gear Thrust-57.....	2.94
4347	Bolt-Differential Carrier to Axle Housing-57.....	3.18
4529	U-Bolt-Universal Joint-56/57.....	14.51



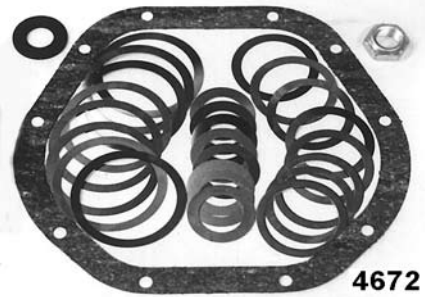
4662	Spacer-Driv. Pin. Brg.-57.....	7.15
4669	"O" Ring-Driv. Pin. Brg. Retainer-57.....	1.89
4670	Slinger-Driv. Pin. Shaft-55/56.....	5.99
4671	Gasket-Driv. Pin. Oil Seal-55/56.....	1.05



### DRIVE SHAFT & UNIVERSAL JOINTS

DRIVE SHAFT DECALS AVAILABLE ... see Page 35

4616A	Cup-Driving Pinion Bearing-55/56.....	11.29
4616B	Cup-Driving Pinion Bearing-57.....	8.93
4621A	Cone & Roller-Driv. Pin. Brg.-55/56.....	21.75
4621B	Cone & Roller-Driv. Pin. Brg.-57.....	17.98
4625	Bearing-Pinion Pilot-57.....	49.66
4627	Retainer-Pilot Bearing-57.....	1.92
4628	Cup-Driv. Pin. Brg.-Rear-55/56.....	12.07
4630	Cone & Roller-Driv. Pin. Brg.-Rear-55/56.....	34.25
4635A	Universal Joint-55 Front.....	16.40
4635B	Universal Joint-55 Rear.....	26.98
4635C	Universal Joint-56/57 Front or Rear.....	15.29



4672	Kit-Differential Shims-Includes 4067; 4109; 4672 shims & 4035 Gasket-55/56.....	35.69
4676A	Seal-Driving Pinion Oil-55/56.....	8.95
4676B	Seal-Driving Pinion Oil-57.....	38.95
4693	Plate-Drive shaft flange lock - rear 55 - pair.....	5.95
4851AS	Sleeve - Pinion Groove Yoke Repair- 55/56.....	44.35
77651	Boot-Rubber-Transmission Output.....	18.39

### HARDWARE KITS for this area-Complete List-Page 40

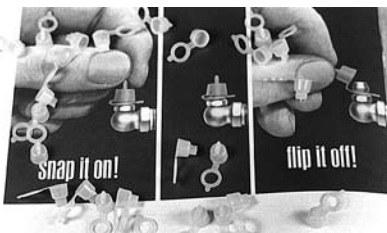
409	Rear Brake Pipe Connector to Axle Housing-55/56-4 pcs.....	1.35
501	Rear Axle Housing Cover-55/56-20 pcs.....	6.40
502	Universal Joint U Bolt-Nuts & Lock Washers 8 pcs-Need 1/Universal Joint.....	1.20

### ★ T-BIRD FACTS

- Originally the doors and ignition keys were operated by the same key and the trunk and glove box used the same key.
- The glass in a T-Bird, including the hardtop, was either all clear or all tinted.
- T-Bird flat glass was made by Ford and bore the FoMoCo logo. The curved glass (windshield and hardtop backlite) were supplied by PPG and had the PPG logo.

### GREASE FITTING COVERS

Not a stock item, but a very good way to keep the fittings clean so that dirt is not forced into the bushings. Bright yellow-Pack of 15 pcs. GFC.....



1.50

**The CASCO Guarantee**

All CASCO parts are guaranteed! If you are not satisfied with any item you may return it and we will promptly exchange it or send you a refund. (See details on back)



Order PH 1-800-374-0914  
Toll Free FX 1-800-513-5806

Local & International phone 740-622-8561 fax 740-622-5151  
Technical Questions? Call our technicians ph 740-622-9700

**Ordered by:**  Check if change of address

**Please ship to:**  Check if change of address

Name \_\_\_\_\_  
Address \_\_\_\_\_  
City \_\_\_\_\_  
State \_\_\_\_\_ Zip \_\_\_\_\_  
Daytime Phone No. \_\_\_\_\_  
E-mail address: \_\_\_\_\_

This time only  Gift

Name \_\_\_\_\_  
Address \_\_\_\_\_  
City \_\_\_\_\_  
State \_\_\_\_\_ Zip \_\_\_\_\_  
Backorder?  yes  no (details on back)

QTY.	CATALOG PART NUMBER	YEAR BIRD	COMPLETE DESCRIPTION	Pg.	PRICE EACH	TOTAL PRICE
1	12345ABC	55	55 Muffler Bearings - set of 4 - RH Heavy Duty	23	24.95	24.95
1						
2						
3						
4						
5						
6						
7						
8						
9						
10						
11						
12						
13						
14						
15						
16						
17						
18						

*Thank You!*

Comments:

- Yes! Please send CASCO's e-newsletter to: \_\_\_\_\_
- Yes! When published, I want "ThunderEnlightening" - CASCO's free news letter.
- Yes! Please send me information on Classic Thunderbird Club International.

**Method of Payment:**  Charge my credit card:

Card No. \_\_\_\_\_ CVV: \_\_\_\_\_

3/2009  VISA  MasterCard  DISCOVER Expires: \_\_\_\_/\_\_\_\_/\_\_\_\_

Subtotal
Quantity Discount (See back for details)
7% Sales tax (Ohio shipments only)
Shipping & Handling 12% of subtotal \$8min \$35max - Ohio Sales - 10% of subtotal \$7min \$25max
<b>Total</b>

Check or M.O. \$ \_\_\_\_\_

# CLASSIC AUTO SUPPLY CO., INC.

## ORDERING INFORMATION

### THE CASCO GUARANTEE

If you are dissatisfied with any new item you may return it along with a MERCHANDISE RETURN FORM, which can be found on page 80 or on our web site, and a copy of the invoice within 60 days of receipt for a full refund less shipping charges. Returned items must be in good, as received, condition. Used parts will be subject to a 25% restocking charge. We do not accept returned electrical parts. After 60 days, returns of new parts will be subject to a 10% restocking charge. Returned items without invoices or invoice numbers may be charged a \$5.00 search charge. Items without purchase confirmation cannot be accepted. We will not accept returns by COD or postage due. If CASCO is at fault we will refund reasonable return shipping.

### TECHNICAL ASSISTANCE

So that we may serve you more efficiently, please use our technical assistance line for technical help. Phone (740) 622-9700. You can also email CASCO technicians directly at [techninfo@classictbird.com](mailto:techninfo@classictbird.com)

### TELEPHONE & FAX ORDERS

We accept Visa, MasterCard, Discover Card, and Wire Transfer telephone orders - Toll-Free Order Line (800) 374-0914 - Toll-Free Fax Line (800) 513-5806. Local & international customers please phone (740) 622-8561 or fax (740) 622-5151. Bank charges for wire transfers are the responsibility of the customer (normally \$15-\$20).

### INTERNET ORDERS

Shop 24-7 on our web store. Go to [www.classictbird.com](http://www.classictbird.com) and click on "On-line Store". We accept Visa, MasterCard, and Discover Card. Order with confidence - we make every effort to keep your transaction secure.

### MAIL ORDERS

We accept personal checks, money orders, bank checks, Visa, MasterCard, and Discover Card. Please do not send cash. Please provide complete description of the parts you need. Shipments may be held for two weeks for personal checks to clear your bank. Returned checks will be assessed a \$25 NSF fee. Send to CASCO, 795 High Street, Coshocton, OH 43812 Orders shipped COD will require certified funds in the form of a Money Order or Cashiers Check ONLY. UPS & Fed Ex will not accept cash. COD charges of \$10.00 will be added to each package shipped COD.

### CREDIT & DEBIT CARD ORDERS

When an order is initially placed, we perform a pre-authorization on your credit card for an amount sufficient to cover any potential charges associated with your order. This pre-authorization allocates a portion of your line of credit towards the purchase from us. Due to the restrictions of credit card processing, the pre-authorization amount is normally slightly higher than the exact order amount that is finally charged to the credit card. The exact amount is charged to the credit or debit card at the time the order is shipped from our facility. If we do not use the pre-authorization for some reason, (order cancelled, item sold out, etc.) the pre-authorized amount will be restored to your credit card's line of credit in the amount of time determined by the issuing bank. The card issuing bank may hold the original pre-authorization amount for some period of time even after we have already charged the card. Please contact your bank to find out what their policy is with regard to releasing your funds on a pre-authorization. Only your bank can decide when to release that amount back to your account.

### BACKORDERS

If you order an item which we expect to be able to ship within 30 days and that item is not immediately available, we will backorder the item. Please note or advise if you *do not* wish to have items backordered. Backordered items will be sold at the price in effect at the time of shipment. Shipping charges will be added to each shipment, including any backorders, as shown below (12% of backorder subtotal - \$8.00 min. and \$35.00 max.).

### QUANTITY DISCOUNT

A quantity discount will be offered on any shipment of new parts and upholstery to one location which meet the following two criteria: the *merchandise total is over \$1000 and payment is made in advance in cash or by bankcard.* Orders paid by **bankcard** (Visa, Mastercard or Discover) or **personal check**, will be extended a 7% discount off the merchandise. Orders paid in advance by **cash** or **cashiers check** will be extended a 10% discount. Discount does not apply to special order items, used parts, disc brake kits, or restoration shop billing. No additional shipping charges for backordered items on quantity discounted orders.

### SHIPPING CHARGES

NORMAL SURFACE shipping charges within the continental United States will be calculated as follows: 12% of subtotal with a \$8 minimum and a \$35 maximum for each shipment. Ohio sales: 10% subtotal with \$7 min. and \$25 max.

ALL OTHER shipping methods including Overnight, Two-Day services, Priority Mail, Truck, etc. will be charged actual shipping cost, a reasonable box & pack charge plus a \$5.00 special handling fee. Truck and Air Express shipments will be sent prepaid freight.

OVERSEAS shipments may be charged a \$5.00 documentation charge in addition to all other charges. Shipments outside the continental United States, please specify your preferred method for shipping.

### OHIO SALES TAX

Ohio sales tax is charged on all pickup orders and all orders shipped to a location in the state of Ohio.

### PRICES & AVAILABILITY

All prices are subject to change without notice. Availability is subject to prior sale.

### LIABILITY

The seller, CLASSIC AUTO SUPPLY CO. INC. hereby expressly disclaims all warranties, either expressed or implied, including any implied warranty of merchantability or fitness for a particular purpose, and CLASSIC AUTO SUPPLY CO. INC. neither assumes nor authorizes any other person to assume for it any liability in connection with the sale of this merchandise.

The liability of CLASSIC AUTO SUPPLY is limited only to the replacement of defective parts. No labor claims will be honored.

3/2009