

Thunderbird Specialists

CASCO

SINCE 1969

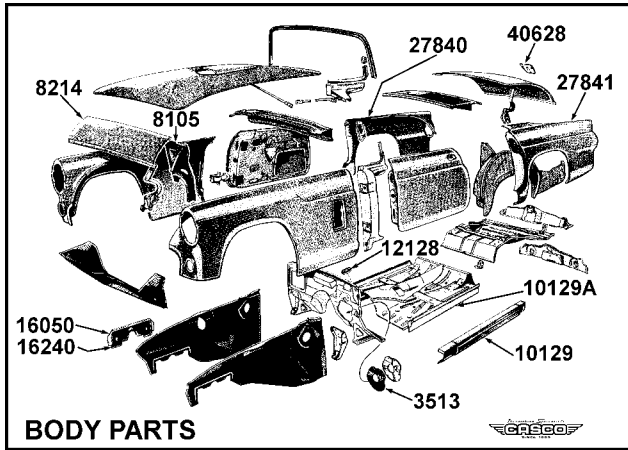
★ PARTS ★ RESTORATIONS ★ TECHNICAL ASSISTANCE ★



1955-1957 THUNDERBIRD ILLUSTRATED CATALOG 2010

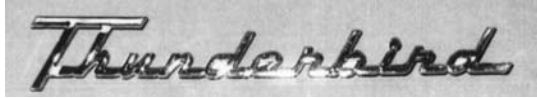
CLASSIC AUTO SUPPLY CO., INC.

REAR QUARTERS & SKIRTS

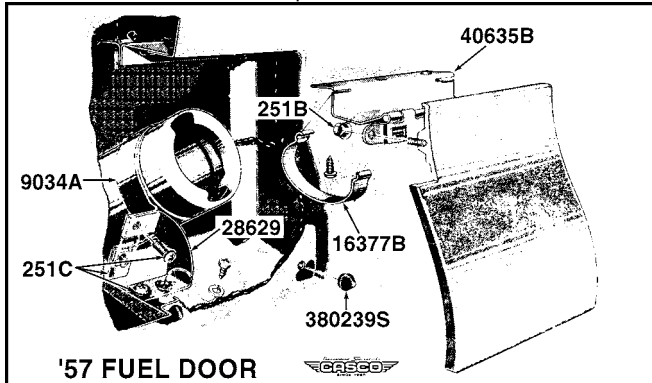


BODY PARTS

- 9034A Strap-Solders to Gas Filler Neck-57 11.50
- 10128 Rocker Panel-RH NOS Ford 252.95
- 16377B Spring-Gas Filler Lid-57-2 Used/Car 5.13



- *25622 Thunderbird Script-55/56 26.50



'57 FUEL DOOR



**STONE GUARDS
AVAILABLE IN
PAIRS ONLY**

- †25648-9 Stone Guards-Fender Skirts With Attaching Parts-PAIR 99.94



- 25650 Bracket for Attaching Stone Guards- Included With Stone Guards Above 4.45
- 27840AT Rear Quarter-RH-55/56 4495.00



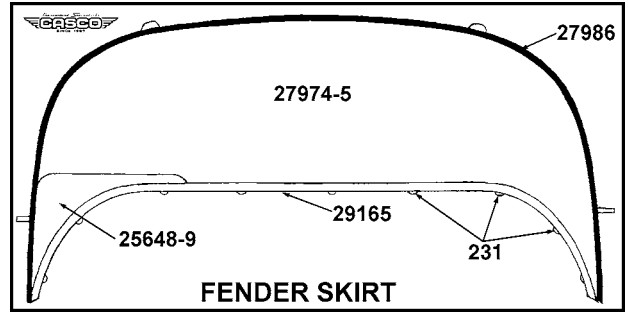
- 27883 Plug Kit-Quarter Panel Drain-With Button Plugs-As Original 5.15



OUR CUSTOMERS WRITE

"Thanks so much for the excellent service and high quality of parts..." Alaska

* INCLUDED IN EXTERIOR TRIM KIT-Pg 67
† INCLUDED IN FENDER SKIRT KIT



FENDER SKIRT

- †27974-5 Fender Skirts-Pair-Without Trim
Or 27986 Seals-Steel Reproductions..... 299.00

FENDER SKIRT KIT YOU SAVE \$24.75

This Kit Consists of a Pair of Fender Skirts, Skirt Seals, RH & LH Stainless Mouldings, Stone Guards, and Attaching Hardware.

Items in This Kit Have a † In Front of The Part Number

- 27974-5K Fender Skirt Kit 542.29



27975A

- 27975A Clip Set to Attach Skirts to Quarter Panel-Set of All 4 With Screws..... 27.25



27975B

- 27975B Tabs-Welds to Quarters to Hold Skirts at Top-Package of 4 Pcs 1.60

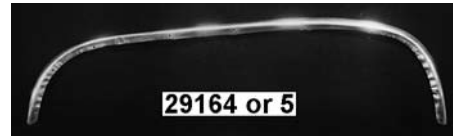
- †27986 Seal-Fender Skirt-Need 2/Car (attached with staples, listed below in hardware)..... 5.95



28629

9034A

- 28629 Bracket-Fuel Inlet Tube to Rear Quarter-57 10.45



29164 or 5

- †29164 Moulding-Fender Skirt-RH 73.45
- †29165 Moulding-Fender Skirt-LH 73.45
- 40628 Door-Gas Filler-55/56 63.00
- 40635A Hinge-Gas Filler Door-55/56 41.95
- 40635B Hinge-Gas Filler Door-57 41.95

HARDWARE KITS FOR THIS AREA-Complete List-Page 40

- 230 Skirt Clips to Quarter Panel-8 pcs 1.25
- †231 Skirt Trim (29164-5) to Skirts-18 pcs..... 1.30
- *241A Thunderbird Scripts to Body-55/56-8 pcs..... 2.00
- 251B Gas Filler Lid to Hinge-57-3 pcs..... 1.65
- 251C Fuel Inlet Brkt to Tube & Rear Qrter-57-5 pcs..... 1.10
- 400A Body to Frame W/O J-Nuts-55-42 pcs 26.25
- 400B Body to Frame W/O J-Nuts-56-48 pcs 27.85
- 400C Body to Frame W/O J-Nuts-57-56 pcs 16.55
- 400D Body to Frame J-Nuts Only-All Years-10 pcs 35.95
- 400E Body to Frame rubber bumpers & clips-20 pcs 30.95
- †900 Staples-Like Original for Seals and Weatherstrip-Pkg 50..... 8.00
- 900A Staples-as 900 but Pkg 12 Only..... 2.50

★ T-BIRD FACTS

- The backup lights on a T-Bird will only operate when the lights are on.
- T-Birds with automatic transmissions are designed to start in neutral only; they will not start in park.

The CASCO Guarantee

All CASCO parts are guaranteed! If you are not satisfied with any item you may return it and we will promptly exchange it or send you a refund. (See details on back)



Order PH 1-800-374-0914
Toll Free FX 1-800-513-5806

Local & International phone 740-622-8561 fax 740-622-5151
Technical Questions? Call our technicians ph 740-622-9700

Ordered by: Check if change of address

Please ship to: Check if change of address

Name _____
Address _____
City _____
State _____ Zip _____
Daytime Phone No. _____
E-mail address: _____

This time only Gift

Name _____
Address _____
City _____
State _____ Zip _____
Backorder? yes no (details on back)

QTY.	CATALOG PART NUMBER	YEAR BIRD	COMPLETE DESCRIPTION	Pg.	PRICE EACH	TOTAL PRICE
1	12345ABC	55	55 Muffler Bearings - set of 4 - RH Heavy Duty	23	24.95	24.95
1						
2						
3						
4						
5						
6						
7						
8						
9						
10						
11						
12						
13						
14						
15						
16						
17						
18						

Thank You!

Comments:

- Yes! Please send CASCO's e-newsletter to: _____
- Yes! When published, I want "ThunderEnlightening" - CASCO's free news letter.
- Yes! Please send me information on Classic Thunderbird Club International.

Method of Payment: Charge my credit card:

Card No. _____ CVV: _____

3/2009 VISA MasterCard DISCOVER Expires: ____/____/____

Subtotal
Quantity Discount (See back for details)
7% Sales tax (Ohio shipments only)
Shipping & Handling 12% of subtotal \$8min \$35max - Ohio Sales - 10% of subtotal \$7min \$25max
Total

Check or M.O. \$ _____

CLASSIC AUTO SUPPLY CO., INC.

ORDERING INFORMATION

THE CASCO GUARANTEE

If you are dissatisfied with any new item you may return it along with a MERCHANDISE RETURN FORM, which can be found on page 80 or on our web site, and a copy of the invoice within 60 days of receipt for a full refund less shipping charges. Returned items must be in good, as received, condition. Used parts will be subject to a 25% restocking charge. We do not accept returned electrical parts. After 60 days, returns of new parts will be subject to a 10% restocking charge. Returned items without invoices or invoice numbers may be charged a \$5.00 search charge. Items without purchase confirmation cannot be accepted. We will not accept returns by COD or postage due. If CASCO is at fault we will refund reasonable return shipping.

TECHNICAL ASSISTANCE

So that we may serve you more efficiently, please use our technical assistance line for technical help. Phone (740) 622-9700. You can also email CASCO technicians directly at techninfo@classictbird.com

TELEPHONE & FAX ORDERS

We accept Visa, MasterCard, Discover Card, and Wire Transfer telephone orders - Toll-Free Order Line (800) 374-0914 - Toll-Free Fax Line (800) 513-5806. Local & international customers please phone (740) 622-8561 or fax (740) 622-5151. Bank charges for wire transfers are the responsibility of the customer (normally \$15-\$20).

INTERNET ORDERS

Shop 24-7 on our web store. Go to www.classictbird.com and click on "On-line Store". We accept Visa, MasterCard, and Discover Card. Order with confidence - we make every effort to keep your transaction secure.

MAIL ORDERS

We accept personal checks, money orders, bank checks, Visa, MasterCard, and Discover Card. Please do not send cash. Please provide complete description of the parts you need. Shipments may be held for two weeks for personal checks to clear your bank. Returned checks will be assessed a \$25 NSF fee. Send to CASCO, 795 High Street, Coshocton, OH 43812 Orders shipped COD will require certified funds in the form of a Money Order or Cashiers Check ONLY. UPS & Fed Ex will not accept cash. COD charges of \$10.00 will be added to each package shipped COD.

CREDIT & DEBIT CARD ORDERS

When an order is initially placed, we perform a pre-authorization on your credit card for an amount sufficient to cover any potential charges associated with your order. This pre-authorization allocates a portion of your line of credit towards the purchase from us. Due to the restrictions of credit card processing, the pre-authorization amount is normally slightly higher than the exact order amount that is finally charged to the credit card. The exact amount is charged to the credit or debit card at the time the order is shipped from our facility. If we do not use the pre-authorization for some reason, (order cancelled, item sold out, etc.) the pre-authorized amount will be restored to your credit card's line of credit in the amount of time determined by the issuing bank.

The card issuing bank may hold the original pre-authorization amount for some period of time even after we have already charged the card. Please contact your bank to find out what their policy is with regard to releasing your funds on a pre-authorization. Only your bank can decide when to release that amount back to your account.

BACKORDERS

If you order an item which we expect to be able to ship within 30 days and that item is not immediately available, we will backorder the item. Please note or advise if you *do not* wish to have items backordered. Backordered items will be sold at the price in effect at the time of shipment. Shipping charges will be added to each shipment, including any backorders, as shown below (12% of backorder subtotal - \$8.00 min. and \$35.00 max.).

QUANTITY DISCOUNT

A quantity discount will be offered on any shipment of new parts and upholstery to one location which meet the following two criteria: the *merchandise total is over \$1000 and payment is made in advance in cash or by bankcard.* Orders paid by **bankcard** (Visa, Mastercard or Discover) or **personal check**, will be extended a 7% discount off the merchandise. Orders paid in advance by **cash** or **cashiers check** will be extended a 10% discount. Discount does not apply to special order items, used parts, disc brake kits, or restoration shop billing. No additional shipping charges for backordered items on quantity discounted orders.

SHIPPING CHARGES

NORMAL SURFACE shipping charges within the continental United States will be calculated as follows: 12% of subtotal with a \$8 minimum and a \$35 maximum for each shipment. Ohio sales: 10% subtotal with \$7 min. and \$25 max.

ALL OTHER shipping methods including Overnight, Two-Day services, Priority Mail, Truck, etc. will be charged actual shipping cost, a reasonable box & pack charge plus a \$5.00 special handling fee. Truck and Air Express shipments will be sent prepaid freight.

OVERSEAS shipments may be charged a \$5.00 documentation charge in addition to all other charges. Shipments outside the continental United States, please specify your preferred method for shipping.

OHIO SALES TAX

Ohio sales tax is charged on all pickup orders and all orders shipped to a location in the state of Ohio.

PRICES & AVAILABILITY

All prices are subject to change without notice. Availability is subject to prior sale.

LIABILITY

The seller, CLASSIC AUTO SUPPLY CO. INC. hereby expressly disclaims all warranties, either expressed or implied, including any implied warranty of merchantability or fitness for a particular purpose, and CLASSIC AUTO SUPPLY CO. INC. neither assumes nor authorizes any other person to assume for it any liability in connection with the sale of this merchandise.

The liability of CLASSIC AUTO SUPPLY is limited only to the replacement of defective parts. No labor claims will be honored.

3/2009