

Thunderbird Specialists

CASCO

SINCE 1969

★ PARTS ★ RESTORATIONS ★ TECHNICAL ASSISTANCE ★

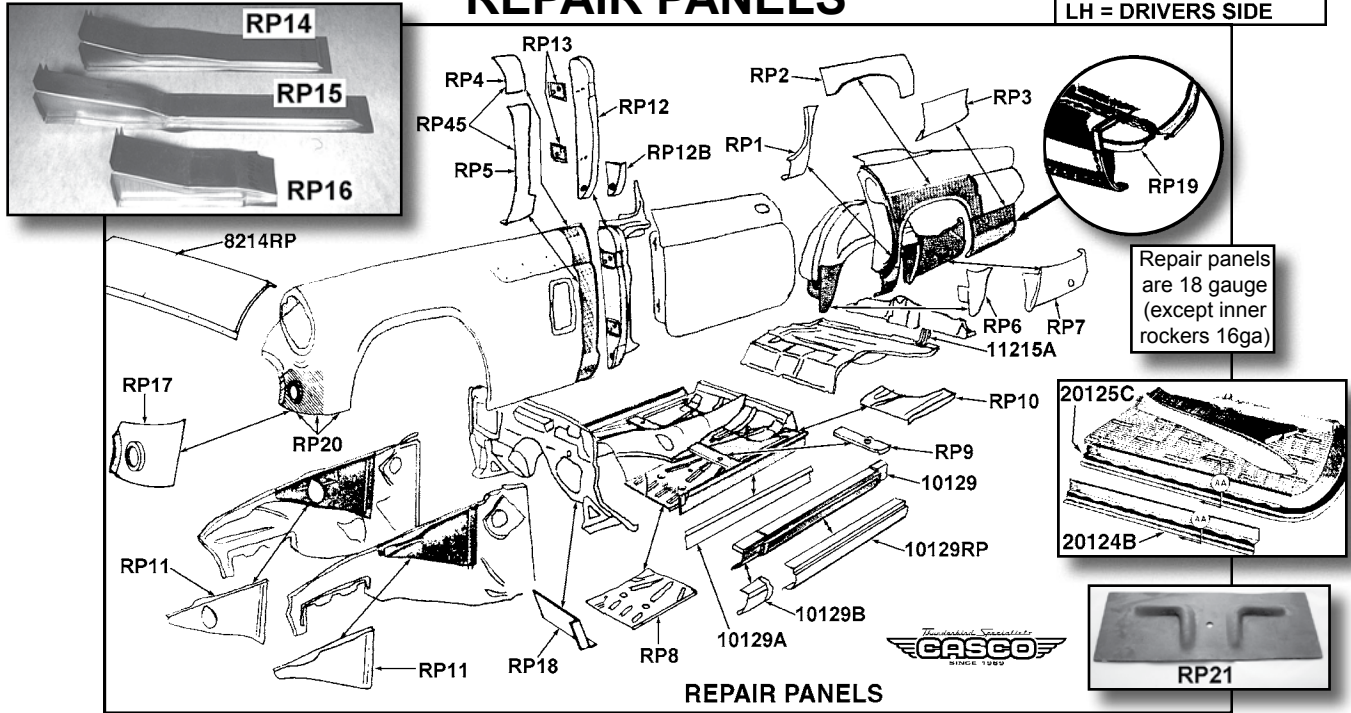


1955-1957 THUNDERBIRD ILLUSTRATED CATALOG 2010

CLASSIC AUTO SUPPLY CO., INC.

REPAIR PANELS

RH = PASSENGER SIDE
LH = DRIVERS SIDE



REPAIR PANELS

ALL REPAIR PANELS SHOWN ON THIS PAGE ARE STEEL

RP1RH	Repair Panel-Rear Quarter-Dogleg-RH	53.50
RP1LH	Repair Panel-Rear Quarter-Dogleg-LH	53.50
RP2RH	Rep. Pnl.-Rr. Qtr.-Over Wheel Open-RH	73.00
RP2LH	Rep. Pnl.-Rr. Qtr.-Over Wheel Open-LH	73.00
RP355RH	Rep. Pnl.-Rr. Qtr.-Lower Rear-RH-55	123.00
RP355LH	Rep. Pnl.-Rr. Qtr.-Lower Rear-LH-55	123.00
RP356RH	Rep. Pnl.-Rr. Qtr.-Lower Rear-RH-56	104.30
RP356LH	Rep. Pnl.-Rr. Qtr.-Lower Rear-LH-56	104.30
RP357RH	Rep. Pnl.-Rr. Qtr.-Lower Rear-RH-57	97.00
RP357LH	Rep. Pnl.-Rr. Qtr.-Lower Rear-LH-57	97.00
RP4RH	Rep. Pnl.-Front Fender-Upper Rear-RH	31.50
RP4LH	Rep. Pnl.-Front Fender-Upper Rear-LH	31.50
RP5RH	Rep. Pnl.-Front Fender-Lower Rear-RH	43.00
RP5LH	Rep. Pnl.-Front Fender-Lower Rear-LH	43.00
RP45RH	Rep. Pnl.-Front Fender-Rear-1 Pc.-RH	93.00
RP45LH	Rep. Pnl.-Front Fender-Rear-1 Pc.-LH	93.00
RP6RH	Rep. Pnl.-Rear Wheelhouse-Lower Fr-RH	44.00
RP6LH	Rep. Pnl.-Rear Wheelhouse-Lower Fr-LH	44.00
RP755RH	Rep. Pnl.-Rr. Whlhs.-Extension-RH-55	89.00
RP755LH	Rep. Pnl.-Rr. Whlhs.-Extension-LH-55	89.00
RP756RH	Rep. Pnl.-Rr. Whlhs.-Extension-RH-56	89.00
RP756LH	Rep. Pnl.-Rr. Whlhs.-Extension-LH-56	89.00
RP757RH	Rep. Pnl.-Rr. Whlhs.-Extension-RH-57	95.00
RP757LH	Rep. Pnl.-Rr. Whlhs.-Extension-LH-57	95.00
RP8RH	Rep. Pnl.-Floor Board Front-RH	229.00
RP855LH	Rep. Pnl.-Floor Board Front-LH-55	229.00
RP8567LH	Rep. Pnl.-Floor Board Front-LH-56/57	229.00
RP9RH	Rep. Pnl.-Flr. Bd. Center Section-RH	97.80
RP9LH	Rep. Pnl.-Flr. Bd. Center Section-LH	97.80
RP10RH	Rep. Pnl.-Floor Board-Rear-RH	229.00
RP1055LH	Rep. Pnl.-Floor Board-Rear-LH-55	229.00
RP10567LH	Rep. Pnl.-Floor Board-Rear-LH-56/57	229.00
RP11RH	Rep. Pnl.-Splash Apron-RH	133.00
RP11LH	Rep. Pnl.-Splash Apron-LH	133.00
RP12RH	Rep. Pnl.-Door Post-Front-RH	93.00
RP12LH	Rep. Pnl.-Door Post-Front-LH	93.00
RP12BRH	Rep. Pnl.-Door Post-Lwr. Part Only-RH	30.00
RP12BLH	Rep. Pnl.-Door Post-Lwr. Part Only-LH	30.00
RP13A	Nut Plate-Hinge Side-Inside Door	20.00

RP1355	Nut Plate-Door Hinge-Upper & Lower-55	30.95
RP13567RH	Nut Plate-Door Hinge-Upper-RH-56/57	36.75
RP13567LH	Nut Plate-Door Hinge-Upper-LH-56/57	36.75
RP13567B	Nut Plate-Door Hinge-Lower-56/57	36.75
RP1455	Floor Brace-One Piece-Front-55	78.75
RP14567	Floor Brace-One Piece-Front-56/57	78.75
RP15RH	Floor Brace-One Piece-Center-RH-55/57	80.40
RP15LH	Floor Brace-One Piece-Center-LH-55/57	80.40
RP1655	Floor Brace-One Piece-Rear-55	73.50
RP16567RH	Floor Brace-One Piece-Rear-RH-56/57	77.45
RP16567LH	Floor Brace-One Piece-Rear-LH-56/57	77.45
RP17RH	Front Fender At Park Lamp-RH-55/56	99.00
RP17LH	Front Fender At Park Lamp-LH-55/56	99.00
RP18RH	Front Sloping Floor-RH	57.15
RP18LH	Front Sloping Floor-LH	57.15
RP1956RH	Filler-Rear Quarter to Trunk-RH-56	49.00
RP1956LH	Filler-Rear Quarter to Trunk-LH-56	49.00
RP1957RH	Filler-Rear Quarter to Trunk-RH-57	21.00
RP1957LH	Filler-Rear Quarter to Trunk-LH-57	21.00
RP20RH	Flange-Lower Front Fender-RH	21.00
RP20LH	Flange-Lower Front Fender-LH	21.00
RP21	Under Floor Plate at End of RP16	20.00
RP22LH	Hook Bracket Gas Tank Strap 57 LH	15.00
RP22RH	Hook Bracket Gas Tank Strap 57 RH	15.00
8104RP	Repair panel - Radiator deflector RH	282.65
8105RP	Repair panel - Radiator deflector LH	282.65
8214RP	Upper Grille Panel-Steel	429.00
10128	Rocker Panel-Original FoMoCo-RH	252.95
10128RP	Repair Panel-Rocker Panel-W/Drains-RH	63.00
10129RP	Repair Panel-Rocker Panel-W/Drains-LH	63.00
10128A	Rep. Pnl.-Inner Rocker-Heavy 16 Ga-RH	32.00
10129A	Rep. Pnl.-Inner Rocker-Heavy 16 Ga-LH	32.00
10128B	Rep. Pnl.-Rocker Pnl.-Frt. Extent-RH	22.00
10129B	Rep. Pnl.-Rocker Pnl.-Frt. Extent-LH	22.00
11215A	Rep. Pnl.-Brace-Trunk Floor to Rear Panel-55/56	24.00
20124B	Rep. Pnl.-Door Bottom W/ 20125C-RH	52.00
20125B	Rep. Pnl.-Door Bottom W/ 20125C-LH	52.00
20125C	Weatherstrip Retainer-Bottom of Door	21.00

The CASCO Guarantee

All CASCO parts are guaranteed! If you are not satisfied with any item you may return it and we will promptly exchange it or send you a refund. (See details on back)



Order PH 1-800-374-0914
Toll Free FX 1-800-513-5806

Local & International phone 740-622-8561 fax 740-622-5151
Technical Questions? Call our technicians ph 740-622-9700

Ordered by: Check if change of address

Please ship to: Check if change of address

Name _____
Address _____
City _____
State _____ Zip _____
Daytime Phone No. _____
E-mail address: _____

This time only Gift

Name _____
Address _____
City _____
State _____ Zip _____
Backorder? yes no (details on back)

QTY.	CATALOG PART NUMBER	YEAR BIRD	COMPLETE DESCRIPTION	Pg.	PRICE EACH	TOTAL PRICE
1	12345ABC	55	55 Muffler Bearings - set of 4 - RH Heavy Duty	23	24.95	24.95
1						
2						
3						
4						
5						
6						
7						
8						
9						
10						
11						
12						
13						
14						
15						
16						
17						
18						

Thank You!

Comments:

- Yes! Please send CASCO's e-newsletter to: _____
- Yes! When published, I want "ThunderEnlightening" - CASCO's free news letter.
- Yes! Please send me information on Classic Thunderbird Club International.

Method of Payment: Charge my credit card:

Card No. _____ CVV: _____

3/2009 Expires: ____/____/____

Subtotal
Quantity Discount (See back for details)
7% Sales tax (Ohio shipments only)
Shipping & Handling 12% of subtotal \$8min \$35max - Ohio Sales - 10% of subtotal \$7min \$25max
Total

Check or M.O. \$ _____

CLASSIC AUTO SUPPLY CO., INC.

ORDERING INFORMATION

THE CASCO GUARANTEE

If you are dissatisfied with any new item you may return it along with a MERCHANDISE RETURN FORM, which can be found on page 80 or on our web site, and a copy of the invoice within 60 days of receipt for a full refund less shipping charges. Returned items must be in good, as received, condition. Used parts will be subject to a 25% restocking charge. We do not accept returned electrical parts. After 60 days, returns of new parts will be subject to a 10% restocking charge. Returned items without invoices or invoice numbers may be charged a \$5.00 search charge. Items without purchase confirmation cannot be accepted. We will not accept returns by COD or postage due. If CASCO is at fault we will refund reasonable return shipping.

TECHNICAL ASSISTANCE

So that we may serve you more efficiently, please use our technical assistance line for technical help. Phone (740) 622-9700. You can also email CASCO technicians directly at techinfo@classictbird.com

TELEPHONE & FAX ORDERS

We accept Visa, MasterCard, Discover Card, and Wire Transfer telephone orders - Toll-Free Order Line (800) 374-0914 - Toll-Free Fax Line (800) 513-5806. Local & international customers please phone (740) 622-8561 or fax (740) 622-5151. Bank charges for wire transfers are the responsibility of the customer (normally \$15-\$20).

INTERNET ORDERS

Shop 24-7 on our web store. Go to www.classictbird.com and click on "On-line Store". We accept Visa, MasterCard, and Discover Card. Order with confidence - we make every effort to keep your transaction secure.

MAIL ORDERS

We accept personal checks, money orders, bank checks, Visa, MasterCard, and Discover Card. Please do not send cash. Please provide complete description of the parts you need. Shipments may be held for two weeks for personal checks to clear your bank. Returned checks will be assessed a \$25 NSF fee. Send to CASCO, 795 High Street, Coshocton, OH 43812 Orders shipped COD will require certified funds in the form of a Money Order or Cashiers Check ONLY. UPS & Fed Ex will not accept cash. COD charges of \$10.00 will be added to each package shipped COD.

CREDIT & DEBIT CARD ORDERS

When an order is initially placed, we perform a pre-authorization on your credit card for an amount sufficient to cover any potential charges associated with your order. This pre-authorization allocates a portion of your line of credit towards the purchase from us. Due to the restrictions of credit card processing, the pre-authorization amount is normally slightly higher than the exact order amount that is finally charged to the credit card. The exact amount is charged to the credit or debit card at the time the order is shipped from our facility. If we do not use the pre-authorization for some reason, (order cancelled, item sold out, etc.) the pre-authorized amount will be restored to your credit card's line of credit in the amount of time determined by the issuing bank.

The card issuing bank may hold the original pre-authorization amount for some period of time even after we have already charged the card. Please contact your bank to find out what their policy is with regard to releasing your funds on a pre-authorization. Only your bank can decide when to release that amount back to your account.

BACKORDERS

If you order an item which we expect to be able to ship within 30 days and that item is not immediately available, we will backorder the item. Please note or advise if you *do not* wish to have items backordered. Backordered items will be sold at the price in effect at the time of shipment. Shipping charges will be added to each shipment, including any backorders, as shown below (12% of backorder subtotal - \$8.00 min. and \$35.00 max.).

QUANTITY DISCOUNT

A quantity discount will be offered on any shipment of new parts and upholstery to one location which meet the following two criteria: the *merchandise total is over \$1000 and payment is made in advance in cash or by bankcard.* Orders paid by **bankcard** (Visa, Mastercard or Discover) or **personal check**, will be extended a 7% discount off the merchandise. Orders paid in advance by **cash** or **cashiers check** will be extended a 10% discount. Discount does not apply to special order items, used parts, disc brake kits, or restoration shop billing. No additional shipping charges for backordered items on quantity discounted orders.

SHIPPING CHARGES

NORMAL SURFACE shipping charges within the continental United States will be calculated as follows: 12% of subtotal with a \$8 minimum and a \$35 maximum for each shipment. Ohio sales: 10% subtotal with \$7 min. and \$25 max.

ALL OTHER shipping methods including Overnight, Two-Day services, Priority Mail, Truck, etc. will be charged actual shipping cost, a reasonable box & pack charge plus a \$5.00 special handling fee. Truck and Air Express shipments will be sent prepaid freight.

OVERSEAS shipments may be charged a \$5.00 documentation charge in addition to all other charges. Shipments outside the continental United States, please specify your preferred method for shipping.

OHIO SALES TAX

Ohio sales tax is charged on all pickup orders and all orders shipped to a location in the state of Ohio.

PRICES & AVAILABILITY

All prices are subject to change without notice. Availability is subject to prior sale.

LIABILITY

The seller, CLASSIC AUTO SUPPLY CO. INC. hereby expressly disclaims all warranties, either expressed or implied, including any implied warranty of merchantability or fitness for a particular purpose, and CLASSIC AUTO SUPPLY CO. INC. neither assumes nor authorizes any other person to assume for it any liability in connection with the sale of this merchandise.

The liability of CLASSIC AUTO SUPPLY is limited only to the replacement of defective parts. No labor claims will be honored.

3/2009