

Thunderbird Specialists

COASCO

SINCE 1969

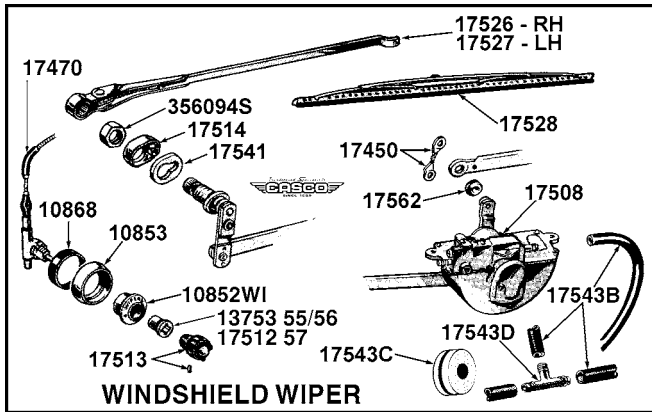
★ PARTS ★ RESTORATIONS ★ TECHNICAL ASSISTANCE ★



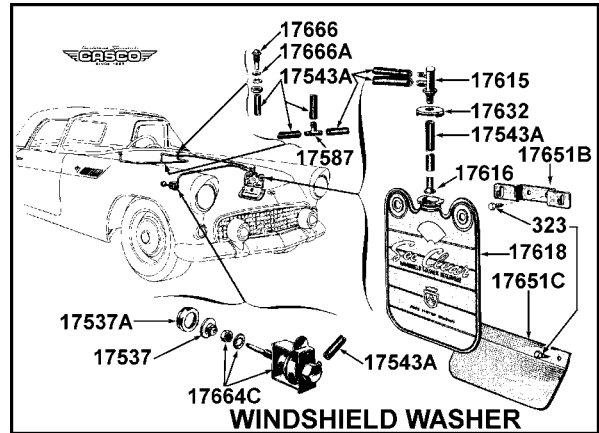
1955-1957 THUNDERBIRD ILLUSTRATED CATALOG 2010

CLASSIC AUTO SUPPLY CO., INC.

WINDSHIELD WIPERS & WASHERS

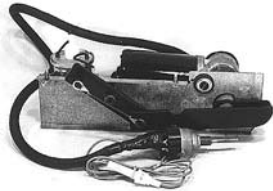


- 17450 Retainer-Wiper Arms to Vacuum Motor..... 8.50
 17470 Wiper Switch Assy-Dash to Motor..... 59.68



WINDSHIELD WASHER

ELECTRIC WIPER CONVERSION



Designed and built by CASCO. Features heavy duty linkage, CNC machined components, oil-lite bearings, heavy duty motor and switch. Uses your original dash knob. Also available with integral electric squirter. Supplied with installation instructions.

- 17508A Electric Wiper Conversion Kit-12 Volt 260.00
 17508B Electric Wiper & Squirter Kit-12 Volt..... 290.00

- 17508 Wiper Motor-Vacuum-Rebuilt-Exchange Only** 92.35
*** Ship to CASCO with payment and return address*
 13753 Nut - Wiper Control - 55/56 12.95
 17512 Nut - Wiper Control - 57 12.95
 17513 Knob-Wiper Control-Black/Chrome 15.65
 17514 Bezel-Wiper Arm-Chrome-Pair..... 26.47



17528B



17528A

17526 or 7

All High-Polish Stainless

- 17526A Arm-Wiper Blade-Wrist Connection-55 RH..... 29.95
 17526B Arm-Wiper Blade-Bayonet Connection RH 29.95
 17527A Arm-Wiper Blade-Wrist Connection-55 LH..... 29.95
 17527B Arm-Wiper Blade-Bayonet Connection LH..... 29.95
 17528A Windshield Wiper Blade - Excellent reproduction of Original Trico RB12-2 with rubber end tips - Wrist Connection-55 (sold each) 29.95
 17528B Wiper Blade-Same as 17528A But With Bayonet Connection - 56/57 (sold each)..... 29.95

17528BLD

"Sheared-Edge" Wiper Blade Rubber We are proud to offer an exact reproduction of the wiper blade rubber with a sheared wiping edge for better performance. Replaces worn out rubber in seconds. Used on wrist action and bayonet blades 17528A & 17528B above.

- 17528BLD Wiper Blade Rubber Only-With "Bumps" 7.50

WINDSHIELD WIPER BLADES & ARMS KIT

- 17528AK Kit-2 Arms & 2 Blades-17526A, 17527A, & 2-17528A... YOU SAVE \$10.00 109.80
 17528BK Kit-2 Arms & 2 Blades-17526B, 17527B, & 2-17528B... YOU SAVE \$10.00 109.80

- 17537 Pedal-Windshield Washer-W/Clip-No Pad 10.45
 17537A Pad-Windshield Washer Pedal..... 5.25
 17537C Clip-Holds Washer Pedal to Shaft..... 1.10



17541

WIPER LEAK? REPLACE 17541



17543



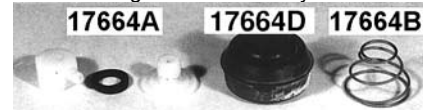
17618C

- #17541 Washer-Wiper Arm to Pivot Shaft-Outer-Leather 85
 17543A Washer Hose Kit-All Hose to do Entire System 5.75
 17543B Vacuum Hose Kit-For Heater & Wiper-6 Pcs 5.80
 17543C Grommet-Wiper Vacuum Hose 1.60
 17543D Tee-Vacuum Hoses to Wiper Motor & Heater 1.90
 17562 Grommet-Wiper Arm-Pair..... 2.10
 17580A Grommet-Washer Hose Through Dash..... 98
 17587 Tee-Windshield Washer Hose 1.05
 17615 Tee-Washer Reservoir to Hoses 15.95
 17616 Filter - washer fluid..... 6.10
 17618A Washer Reservoir-See Clear-55 23.55
 17618B Washer Reservoir-See Clear-56 23.55
 17618C Washer Reservoir-See Clear-57 21.95
 17632 Cover-Washer Reservoir..... 1.72

WASHER BAG HOLDER & PLATE KIT

- 17651AK Windshield Washer Bag Holder and Lower Plate..YOU SAVE \$1.00 16.75

- 17651B Washer Bag Holder Only..... 11.50
 17651C Washer Bag Lower Plate Only 6.25



17664A

17664D

17664B

- 17664A Repair Kit-Washer Pump Includes Bellows 36.95
 17664B Spring-Inside Washer Pump-Stainless..... 55
 17664C Windshield Washer Pump Assy-55/56- Replacement For 57..... 78.98
 17664D Bellows Only-Washer Pump Repair 7.50

WINDSHIELD WASHER SYSTEM KIT

- All of the items you need to install Windshield Washers on your T-Bird. 14 pieces. Kit includes original nozzles... YOU SAVE \$4.00
 17664K5 Windshield Washer Kit-55 191.23
 17664K6 Windshield Washer Kit-56 191.23
 17664K7 Windshield Washer Kit-57 189.63

- 17666 Nozzle-Washer Jet-Like Original-Pair 32.10
 #17666A Seal-Washer Jet Nozzle-Pkg. 2 75
 356094S Nut - Wiper pivot shaft..... 12.90

Wiper Pivot Shaft Nut TOOL - TL11 - See page 57

HARDWARE KITS for this area - Complete List-Page 40

- 142B Vacuum Wiper Motor to Body-4pcs 80
 323 Washer Bag Holder (17651) and Lower Plate-to Apron-4 pcs 95

#INCLUDED IN REPAINT KIT-Pg 67

The CASCO Guarantee

All CASCO parts are guaranteed! If you are not satisfied with any item you may return it and we will promptly exchange it or send you a refund. (See details on back)



Order PH 1-800-374-0914
Toll Free FX 1-800-513-5806

Local & International phone 740-622-8561 fax 740-622-5151
Technical Questions? Call our technicians ph 740-622-9700

Ordered by: Check if change of address

Please ship to: Check if change of address

Name _____
Address _____
City _____
State _____ Zip _____
Daytime Phone No. _____
E-mail address: _____

This time only Gift

Name _____
Address _____
City _____
State _____ Zip _____
Backorder? yes no (details on back)

QTY.	CATALOG PART NUMBER	YEAR BIRD	COMPLETE DESCRIPTION	Pg.	PRICE EACH	TOTAL PRICE
1	12345ABC	55	55 Muffler Bearings - set of 4 - RH Heavy Duty	23	24.95	24.95
1						
2						
3						
4						
5						
6						
7						
8						
9						
10						
11						
12						
13						
14						
15						
16						
17						
18						

Thank You!

Comments:

- Yes! Please send CASCO's e-newsletter to: _____
- Yes! When published, I want "ThunderEnlightening" - CASCO's free news letter.
- Yes! Please send me information on Classic Thunderbird Club International.

Method of Payment: Charge my credit card:

Card No. _____ CVV: _____

3/2009 VISA MasterCard DISCOVER Expires: ____/____/____

Subtotal
Quantity Discount (See back for details)
7% Sales tax (Ohio shipments only)
Shipping & Handling 12% of subtotal \$8min \$35max - Ohio Sales - 10% of subtotal \$7min \$25max
Total

Check or M.O. \$ _____

CLASSIC AUTO SUPPLY CO., INC.

ORDERING INFORMATION

THE CASCO GUARANTEE

If you are dissatisfied with any new item you may return it along with a MERCHANDISE RETURN FORM, which can be found on page 80 or on our web site, and a copy of the invoice within 60 days of receipt for a full refund less shipping charges. Returned items must be in good, as received, condition. Used parts will be subject to a 25% restocking charge. We do not accept returned electrical parts. After 60 days, returns of new parts will be subject to a 10% restocking charge. Returned items without invoices or invoice numbers may be charged a \$5.00 search charge. Items without purchase confirmation cannot be accepted. We will not accept returns by COD or postage due. If CASCO is at fault we will refund reasonable return shipping.

TECHNICAL ASSISTANCE

So that we may serve you more efficiently, please use our technical assistance line for technical help. Phone (740) 622-9700. You can also email CASCO technicians directly at techinfo@classictbird.com

TELEPHONE & FAX ORDERS

We accept Visa, MasterCard, Discover Card, and Wire Transfer telephone orders - Toll-Free Order Line (800) 374-0914 - Toll-Free Fax Line (800) 513-5806. Local & international customers please phone (740) 622-8561 or fax (740) 622-5151. Bank charges for wire transfers are the responsibility of the customer (normally \$15-\$20).

INTERNET ORDERS

Shop 24-7 on our web store. Go to www.classictbird.com and click on "On-line Store". We accept Visa, MasterCard, and Discover Card. Order with confidence - we make every effort to keep your transaction secure.

MAIL ORDERS

We accept personal checks, money orders, bank checks, Visa, MasterCard, and Discover Card. Please do not send cash. Please provide complete description of the parts you need. Shipments may be held for two weeks for personal checks to clear your bank. Returned checks will be assessed a \$25 NSF fee. Send to CASCO, 795 High Street, Coshocton, OH 43812 Orders shipped COD will require certified funds in the form of a Money Order or Cashiers Check ONLY. UPS & Fed Ex will not accept cash. COD charges of \$10.00 will be added to each package shipped COD.

CREDIT & DEBIT CARD ORDERS

When an order is initially placed, we perform a pre-authorization on your credit card for an amount sufficient to cover any potential charges associated with your order. This pre-authorization allocates a portion of your line of credit towards the purchase from us. Due to the restrictions of credit card processing, the pre-authorization amount is normally slightly higher than the exact order amount that is finally charged to the credit card. The exact amount is charged to the credit or debit card at the time the order is shipped from our facility. If we do not use the pre-authorization for some reason, (order cancelled, item sold out, etc.) the pre-authorized amount will be restored to your credit card's line of credit in the amount of time determined by the issuing bank. The card issuing bank may hold the original pre-authorization amount for some period of time even after we have already charged the card. Please contact your bank to find out what their policy is with regard to releasing your funds on a pre-authorization. Only your bank can decide when to release that amount back to your account.

BACKORDERS

If you order an item which we expect to be able to ship within 30 days and that item is not immediately available, we will backorder the item. Please note or advise if you *do not* wish to have items backordered. Backordered items will be sold at the price in effect at the time of shipment. Shipping charges will be added to each shipment, including any backorders, as shown below (12% of backorder subtotal - \$8.00 min. and \$35.00 max.).

QUANTITY DISCOUNT

A quantity discount will be offered on any shipment of new parts and upholstery to one location which meet the following two criteria: the *merchandise total is over \$1000 and payment is made in advance in cash or by bankcard.* Orders paid by **bankcard** (Visa, Mastercard or Discover) or **personal check**, will be extended a 7% discount off the merchandise. Orders paid in advance by **cash** or **cashiers check** will be extended a 10% discount. Discount does not apply to special order items, used parts, disc brake kits, or restoration shop billing. No additional shipping charges for backordered items on quantity discounted orders.

SHIPPING CHARGES

NORMAL SURFACE shipping charges within the continental United States will be calculated as follows: 12% of subtotal with a \$8 minimum and a \$35 maximum for each shipment. Ohio sales: 10% subtotal with \$7 min. and \$25 max.

ALL OTHER shipping methods including Overnight, Two-Day services, Priority Mail, Truck, etc. will be charged actual shipping cost, a reasonable box & pack charge plus a \$5.00 special handling fee. Truck and Air Express shipments will be sent prepaid freight.

OVERSEAS shipments may be charged a \$5.00 documentation charge in addition to all other charges. Shipments outside the continental United States, please specify your preferred method for shipping.

OHIO SALES TAX

Ohio sales tax is charged on all pickup orders and all orders shipped to a location in the state of Ohio.

PRICES & AVAILABILITY

All prices are subject to change without notice. Availability is subject to prior sale.

LIABILITY

The seller, CLASSIC AUTO SUPPLY CO. INC. hereby expressly disclaims all warranties, either expressed or implied, including any implied warranty of merchantability or fitness for a particular purpose, and CLASSIC AUTO SUPPLY CO. INC. neither assumes nor authorizes any other person to assume for it any liability in connection with the sale of this merchandise.

The liability of CLASSIC AUTO SUPPLY is limited only to the replacement of defective parts. No labor claims will be honored.

3/2009